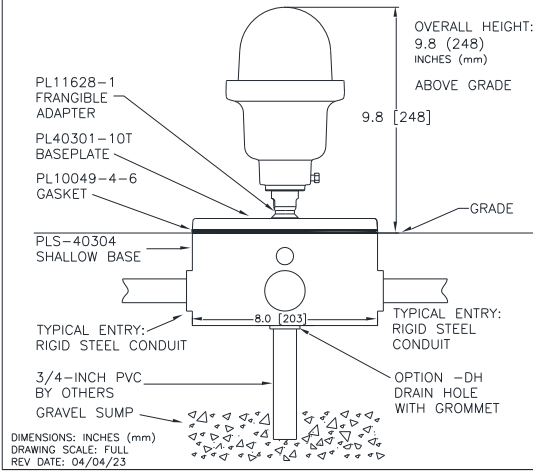


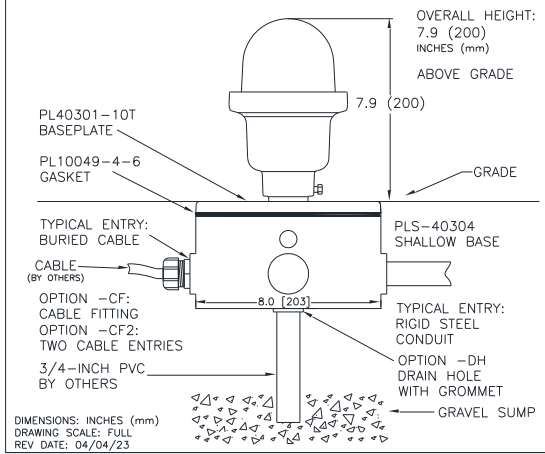
HELIPORT PERIMETER LIGHT H01

- LOW PROFILE PEL PEL-57005-xx-x-PLS
- FRANGIBLE MOUNT PEL-22001-xx-x-PLS
- PLS SHALLOW BASE
- RIGID CONDUIT ENTRY



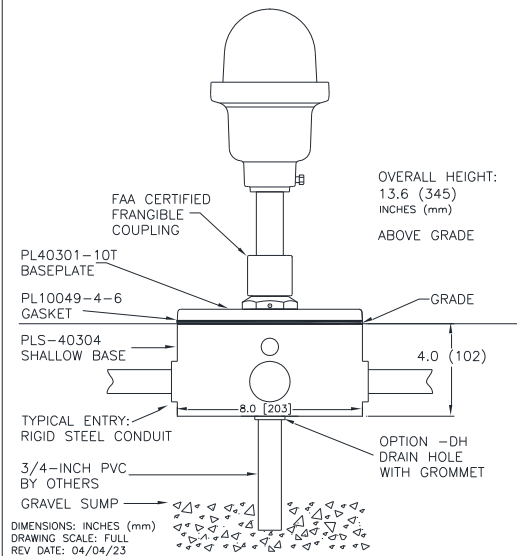
HELIPORT PERIMETER LIGHT H02

- LOW PROFILE PEL PEL-57005-xC-x-LP10-PLS
- RIGID MOUNT PEL-22001-xC-x-LP10-PLS
- PLS SHALLOW BASE
- EXPOSED CABLE OR RIGID CONDUIT ENTRY



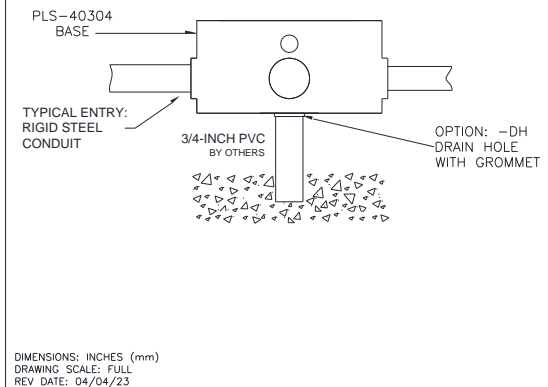
HELIPORT PERIMETER LIGHT H03

- STANDARD FAA PEL PEL-57005-xC-x-14-PLS
- TRADITIONAL FAA COUPLING
- PLS SHALLOW BASE
- RIGID CONDUIT ENTRY



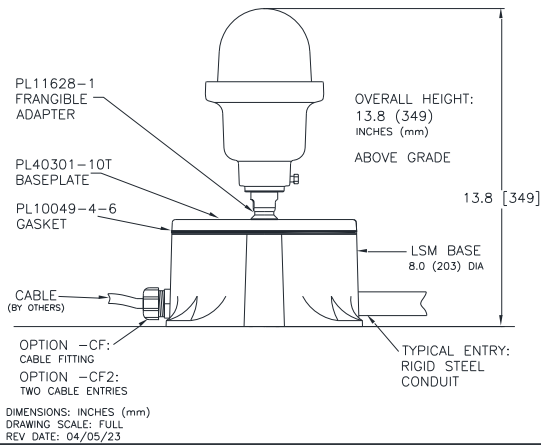
HELIPORT OPTION -DH DRAIN HOLE WITH GRAVEL SUMP H04

USED WHERE WATER COLLECTION IN THE BASE IS A CONCERN. RECOMMENDED IN COLD WEATHER AREAS WHERE FREEZING MAY CAUSE DAMAGE TO THE LIGHT. MAY BE ORDERED WITH ELEVATED OR INSET LIGHTS.



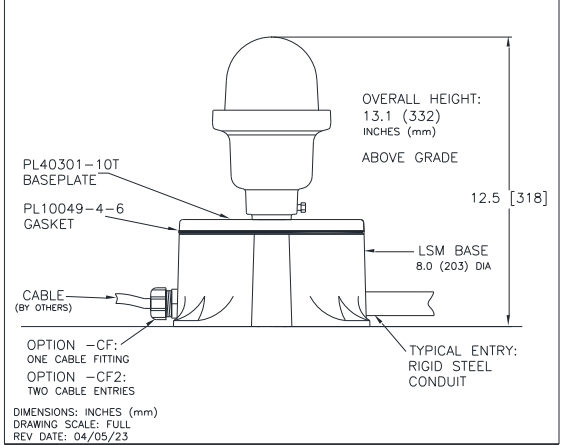
HELIPORT PERIMETER LIGHT H05

- POINT ELEVATED LIGHT PEL-57005-xC-x-LSM
- SURFACE MOUNT
- FRANGIBLE MOUNT
- LSM SURFACE BASE
- EXPOSED CABLE OR RIGID CONDUIT ENTRY



HELIPORT PERIMETER LIGHT H06

- POINT ELEVATED LIGHT PEL-57005-xC-x-LP10-LSM
- SURFACE MOUNT
- RIGID MOUNT
- LSM SURFACE BASE
- EXPOSED CABLE OR RIGID CONDUIT ENTRY



H07

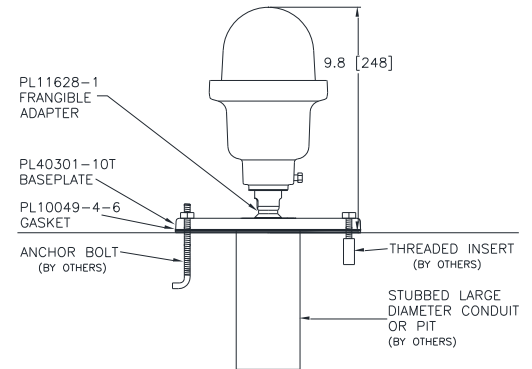
INTENTIONALLY LEFT BLANK

DIMENSIONS: INCHES (mm)
DRAWING SCALE: FULL
REV DATE: 04/05/23

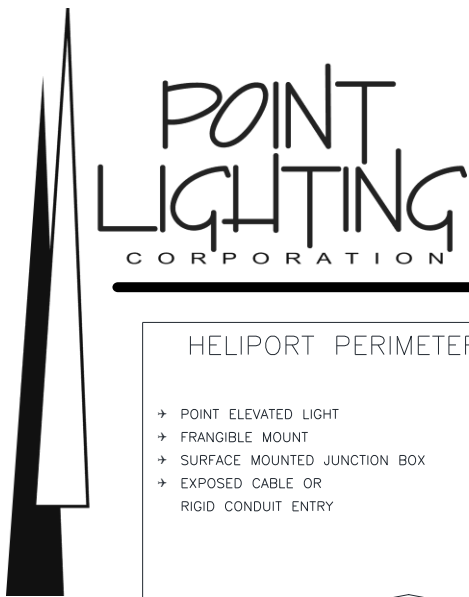
HELIPORT PERIMETER LIGHT H08

- POINT ELEVATED LIGHT PEL-57005-xC-x-BP*
- SURFACE MOUNT PEL-22001-xC-x-BP*
- FRANGIBLE MOUNT
- BOTTOM ENTRY

OVERALL HEIGHT:
9.8 (248)
INCHES (mm)
ABOVE GRADE



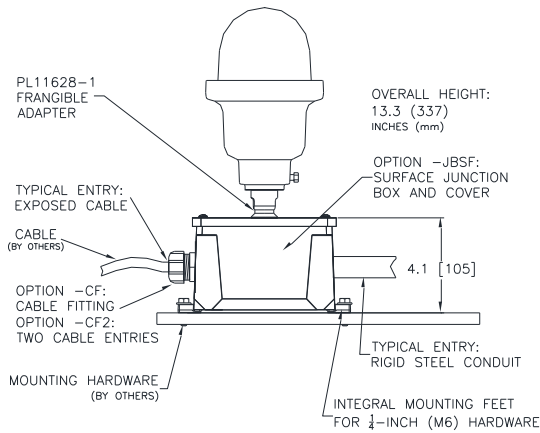
DIMENSIONS: INCHES (mm)
DRAWING SCALE: FULL
REV DATE: 04/05/23



POINT LIGHTING SPECIFICATION GUIDANCE PRODUCT MOUNTING DETAILS

HELIPORT PERIMETER LIGHT H09

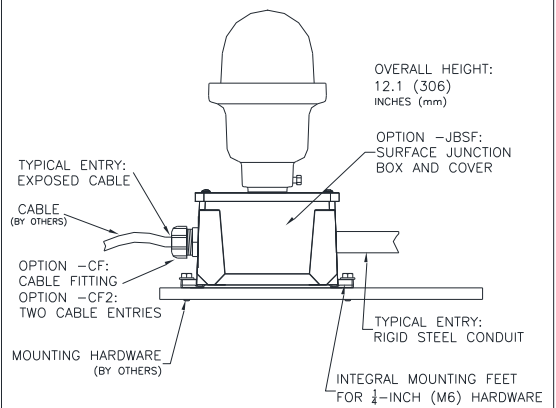
- POINT ELEVATED LIGHT PEL-57005-xC-x-JBSF
- FRANGIBLE MOUNT PEL-22001-xC-x-JBSF
- SURFACE MOUNTED JUNCTION BOX
- EXPOSED CABLE OR RIGID CONDUIT ENTRY



DIMENSIONS: INCHES (mm)
DRAWING SCALE: FULL
REV DATE: 04/04/23

HELIPORT PERIMETER LIGHT H10

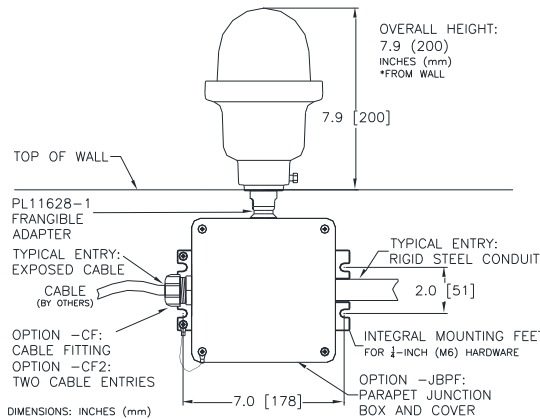
- POINT ELEVATED LIGHT PEL-57005-xC-x-JBS3
- RIGID MOUNT PEL-22001-xC-x-JBS3
- SURFACE MOUNTED JUNCTION BOX
- EXPOSED CABLE OR RIGID CONDUIT ENTRY



DIMENSIONS: INCHES (mm)
DRAWING SCALE: FULL
REV DATE: 04/11/23

HELIPORT PERIMETER LIGHT H11

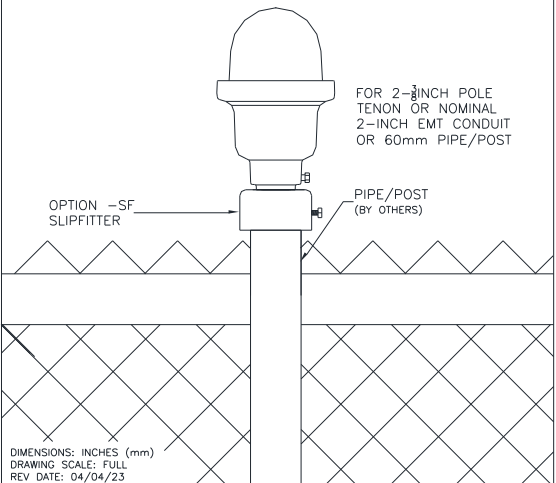
- POINT ELEVATED LIGHT PEL-57005-xC-x-JBPF
- FRANGIBLE MOUNT PEL-22001-xC-x-JBPF
- PARAPET WALL MOUNTED
- EXPOSED CABLE OR RIGID CONDUIT ENTRY



DIMENSIONS: INCHES (mm)
DRAWING SCALE: FULL
REV DATE: 04/04/23

HELIPORT PERIMETER LIGHT H12

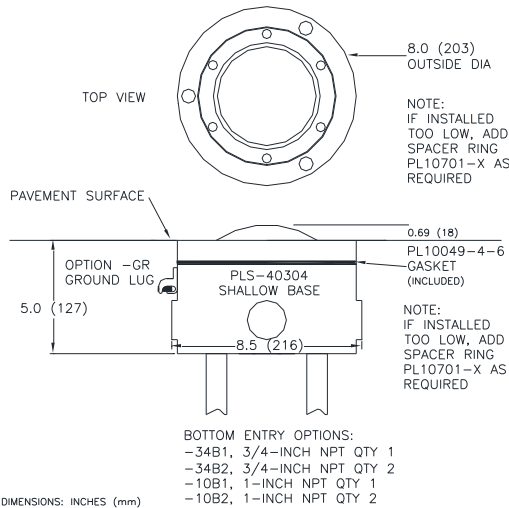
- SLIPFITTER -SF OPTION PEL-57005-xC-x-SF
- FENCE POST MOUNT
- BOTTOM ENTRY



DIMENSIONS: INCHES (mm)
DRAWING SCALE: FULL
REV DATE: 04/04/23

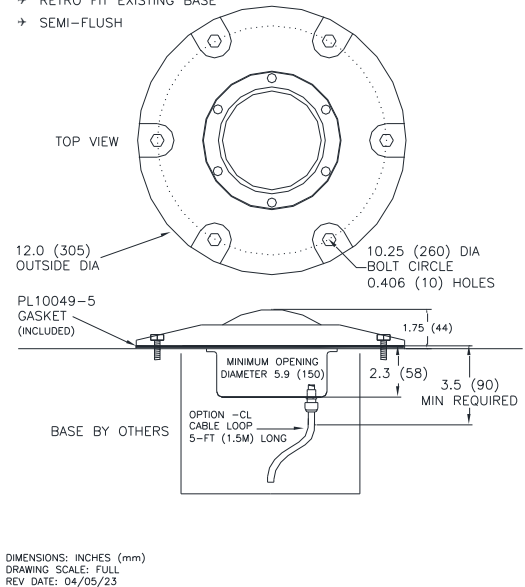
HELIPORT PERIMETER LIGHT H13

- POINT ROLLOVER LIGHT PRL-97004-xC-x-PLS-34B1
- INSET LIGHT PRL-97004-xC-x-PLS-34B2
- THREADED BOTTOM ENTRIES PRL-97004-xC-x-PLS-10B1
- RIGID CONDUIT ENTRY PRL-97004-xC-x-PLS-10B2



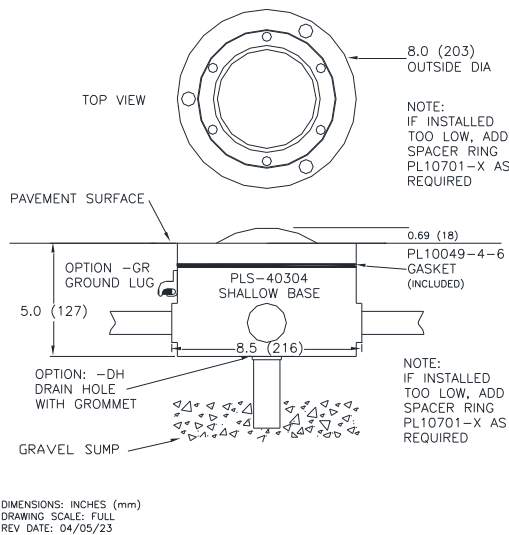
HELIPORT PERIMETER LIGHT H14

- POINT ROLLOVER LIGHT PRL-97704-xC-x-CL
- SURFACE MOUNT
- RETRO FIT EXISTING BASE
- SEMI-FLUSH



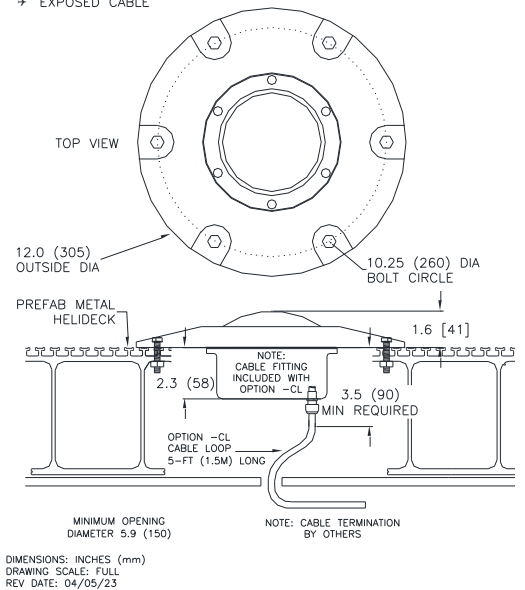
HELIPORT PERIMETER LIGHT H15

- POINT ROLLOVER LIGHT PRL-97004-xC-x-PLS
- INSET LIGHT
- PLS MOUNTED
- RIGID CONDUIT ENTRY



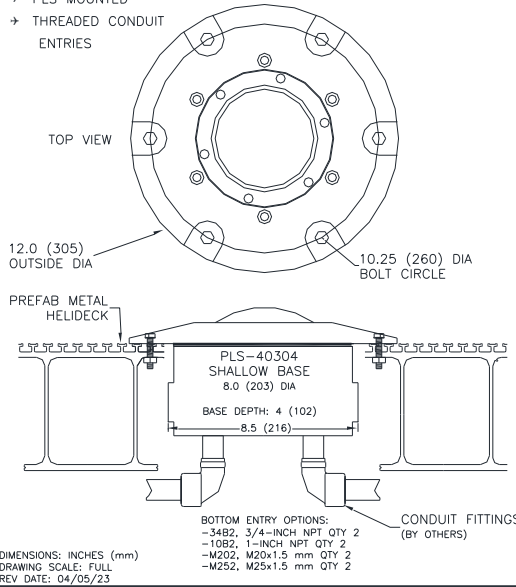
HELIPORT PERIMETER LIGHT H16

- POINT ROLLOVER LIGHT PRL-97704-xC-x-CL
- SURFACE MOUNTED
- EXPOSED CABLE



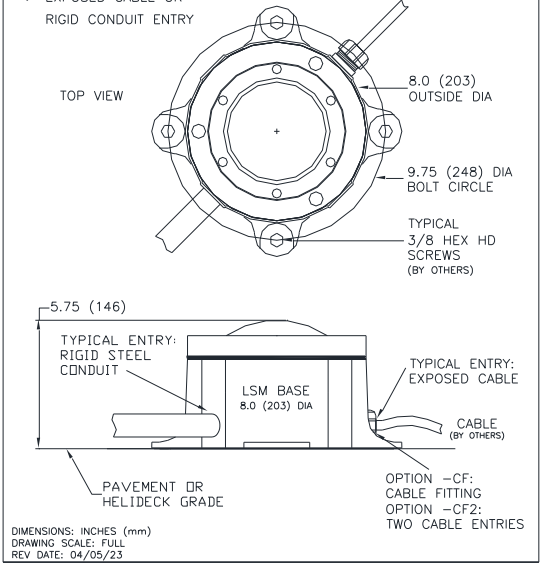
HELIDECK PERIMETER LIGHT H17

- POINT ROLLOVER LIGHT PRL-97704-xC-x-PLS-xxB2
- SURFACE MOUNTED PRL-97704-xC-x-AX-PLS-xxB2
- PLS MOUNTED PRL-97704-xC-x-EX-PLS-xxB2
- THREADED CONDUIT ENTRIES



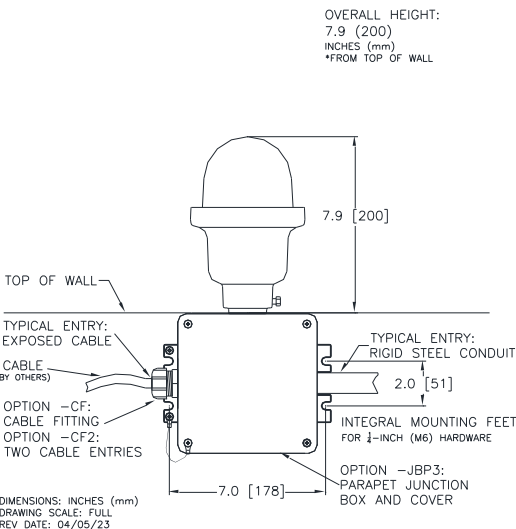
HELIDECK PERIMETER LIGHT H18

- POINT HELIDECK LIGHT PRL-97004-XC-X-LSM
- LOW PROFILE SURFACE MOUNT PRL-97004-XC-X-AX-LSM
- LSM SURFACE BASE PRL-97004-XC-X-EX-LSM
- EXPOSED CABLE OR RIGID CONDUIT ENTRY



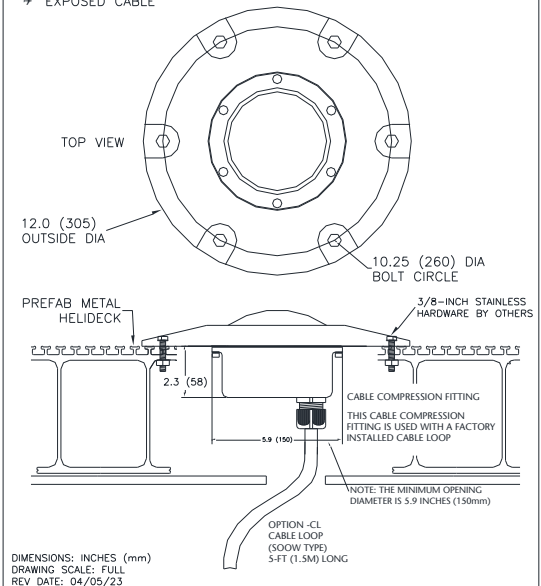
HELIDECK PERIMETER LIGHT H19

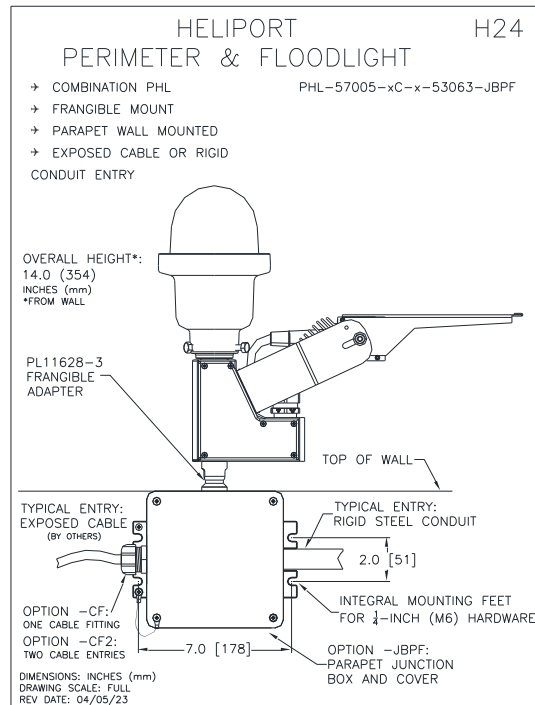
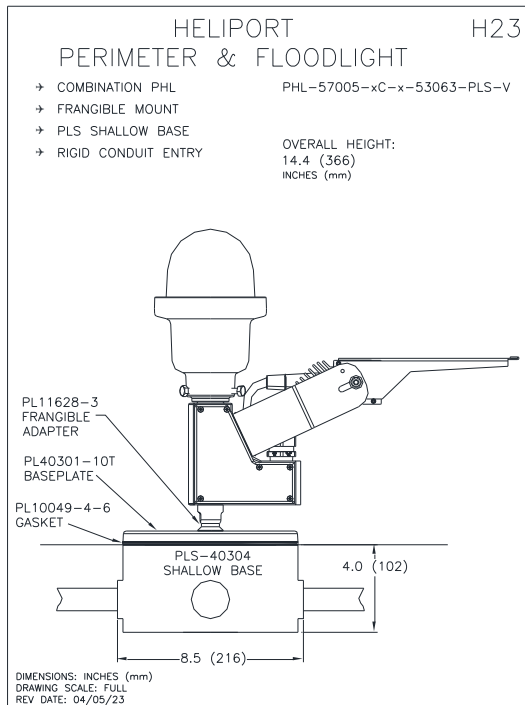
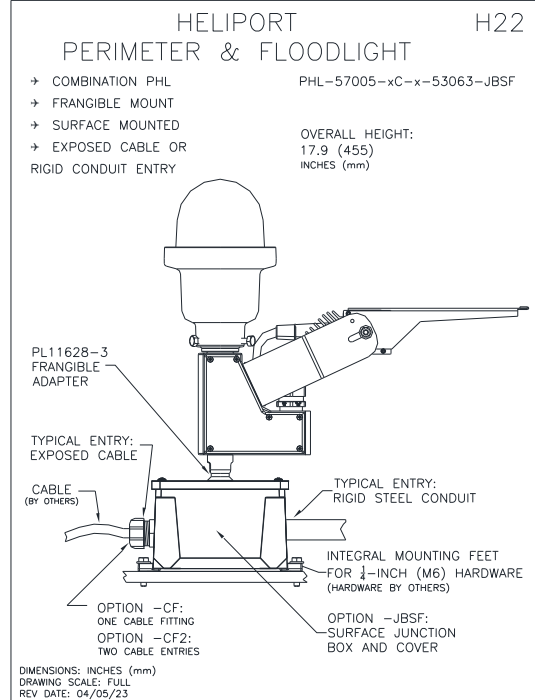
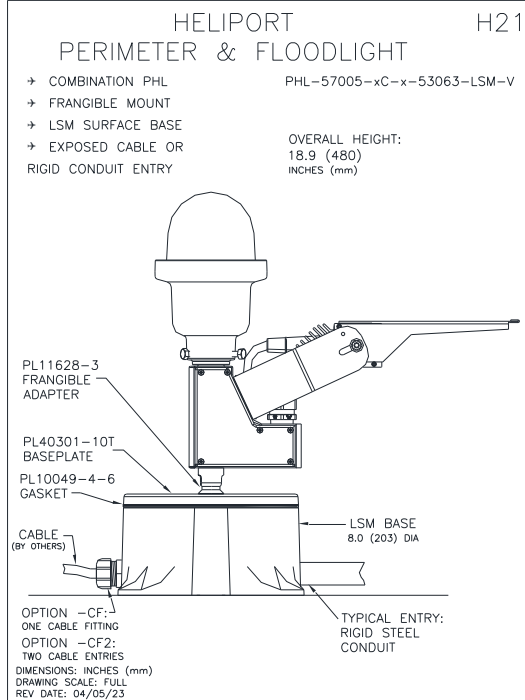
- LOW PROFILE PEL PEL-57005-xC-x-JBP3
- RIGID MOUNT PEL-22001-xC-x-JBP3
- PARAPET WALL MOUNTED
- EXPOSED CABLE OR RIGID CONDUIT ENTRY

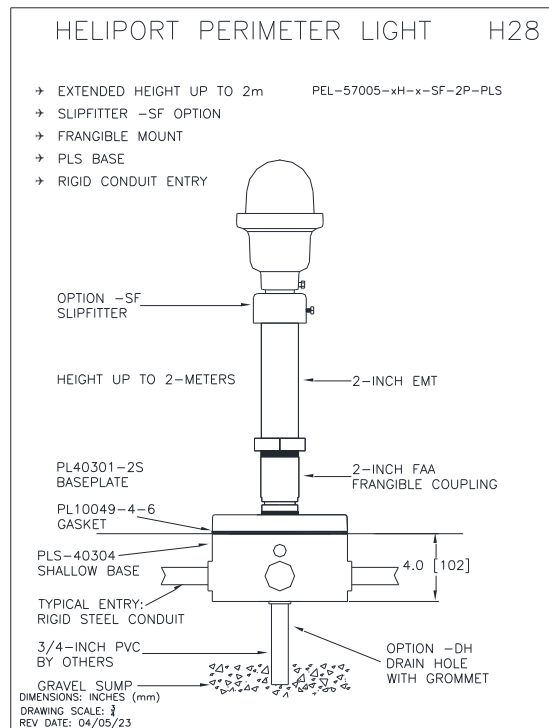
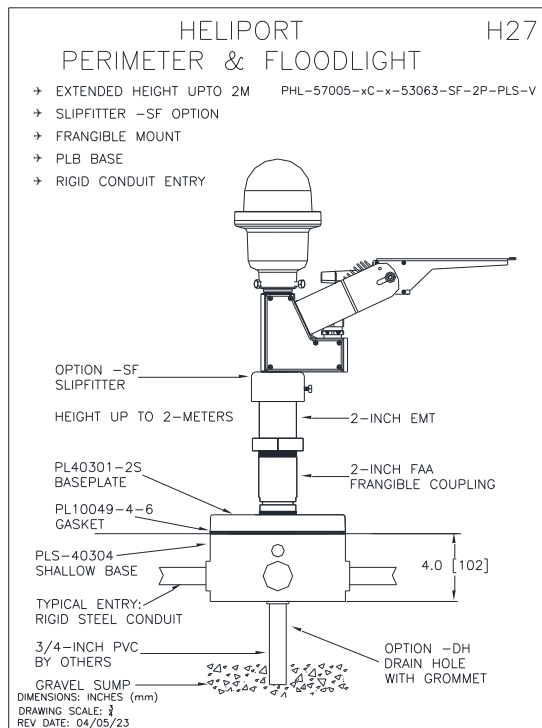
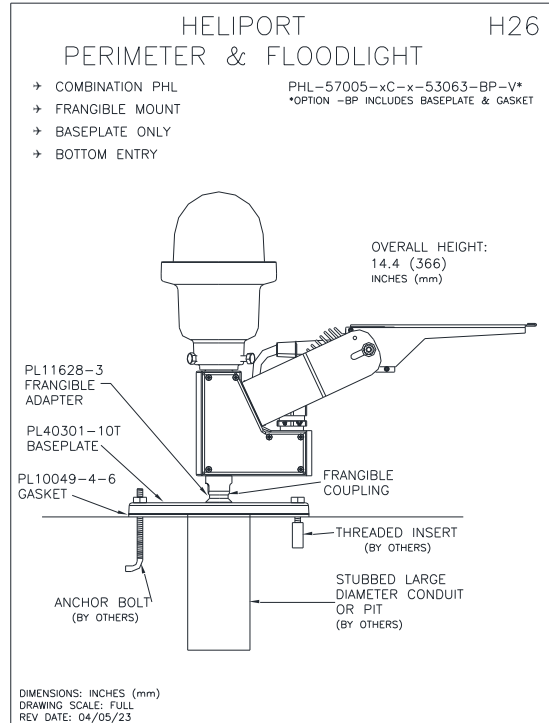
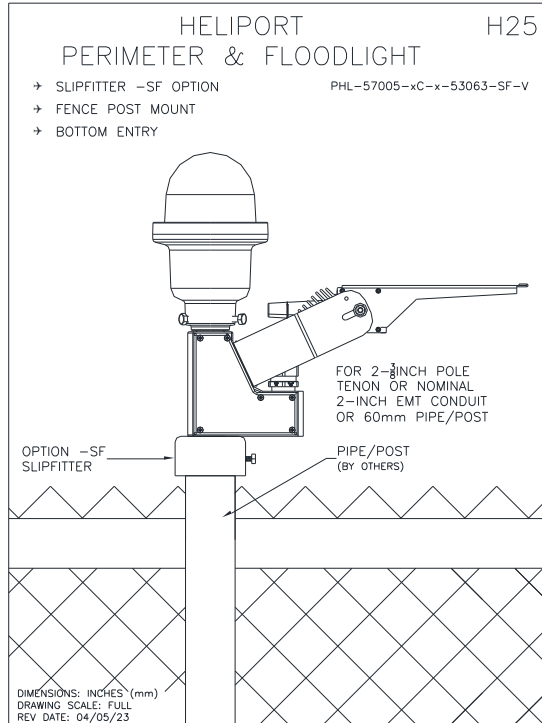


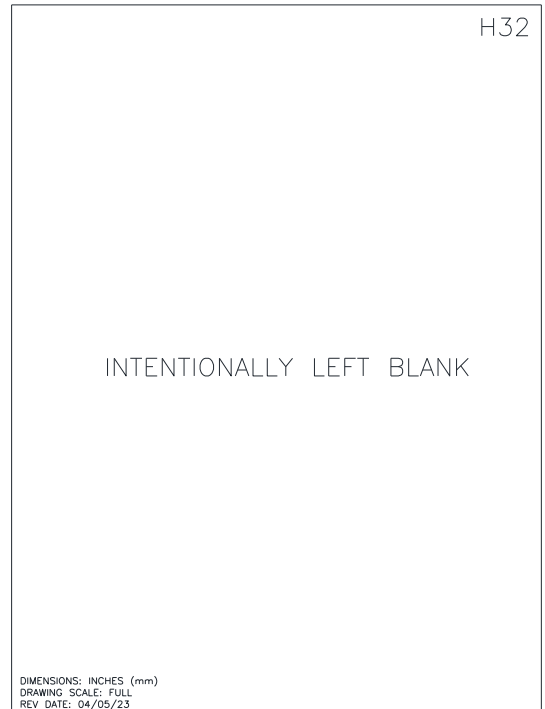
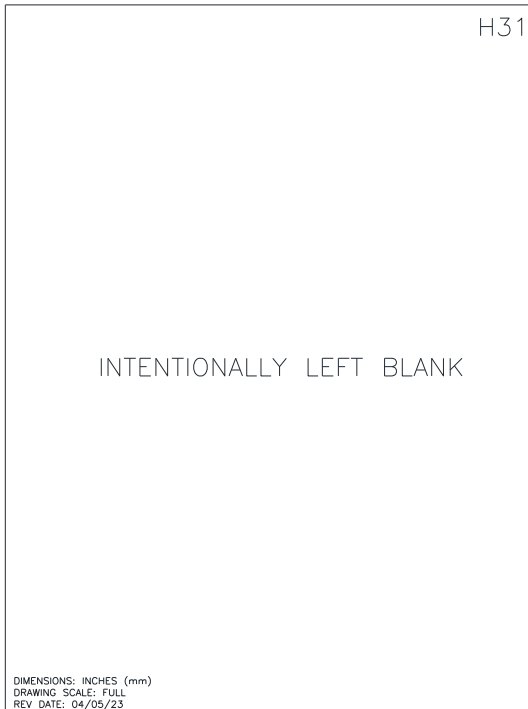
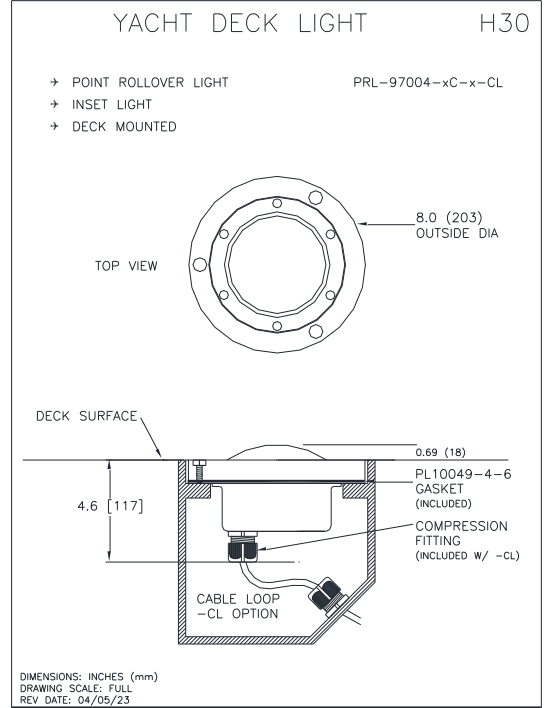
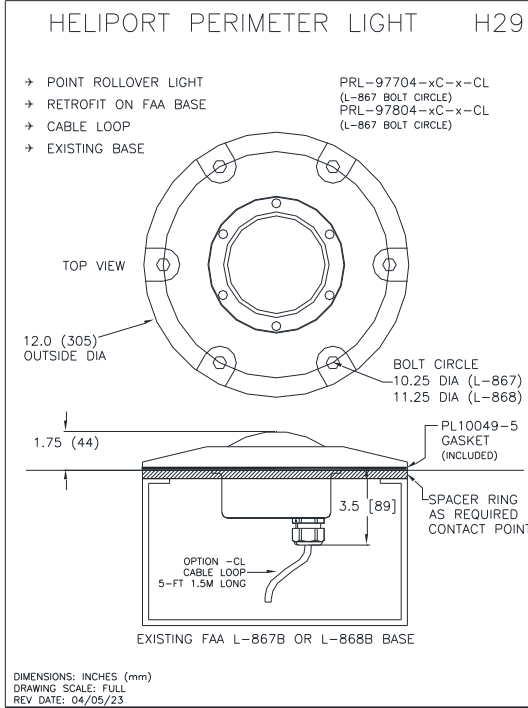
HELIDECK PERIMETER LIGHT H20

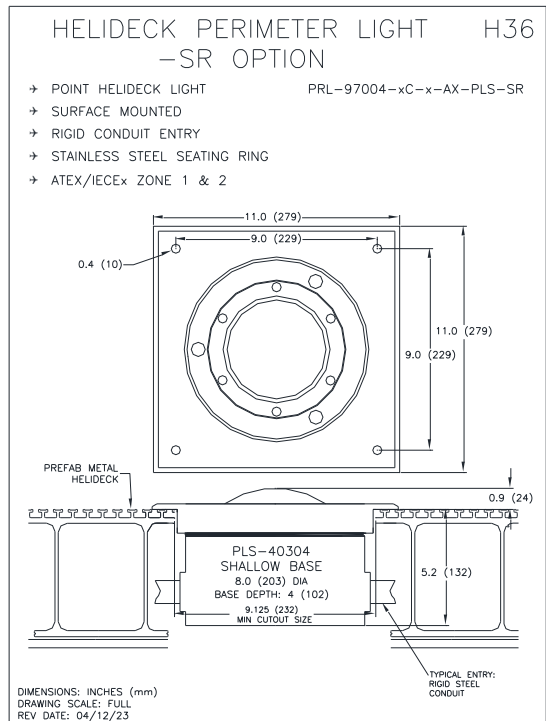
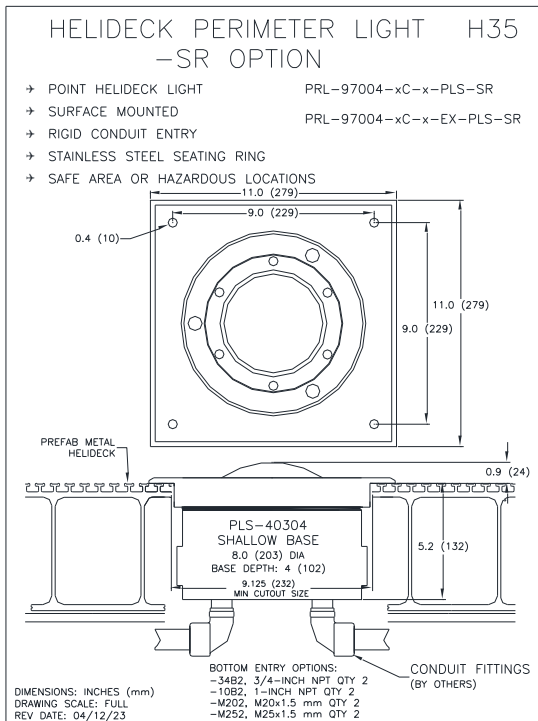
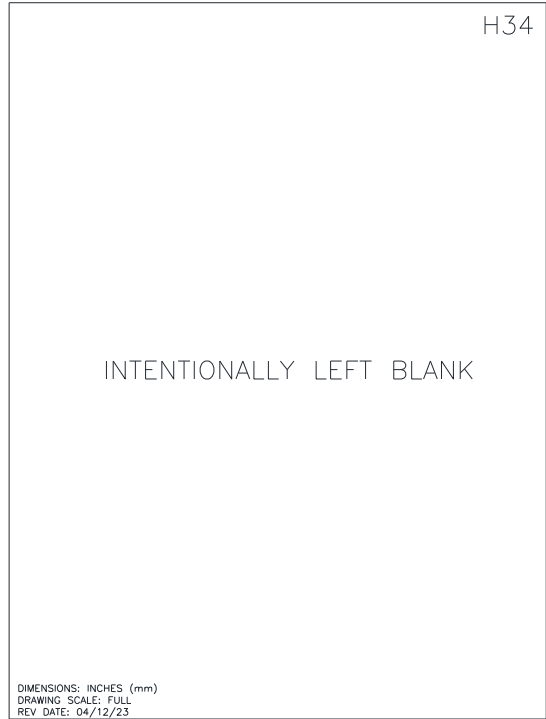
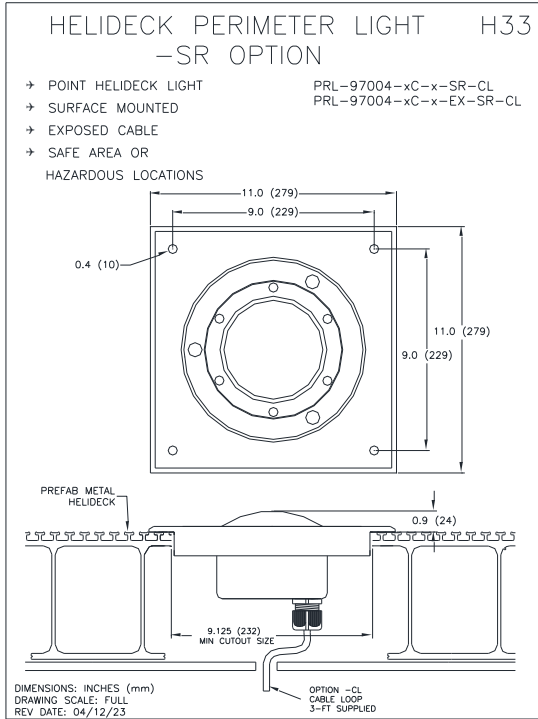
- POINT ROLLOVER LIGHT PRL-97704-xC-X-CL
- SURFACE MOUNTED PRL-97704-xC-X-EX-CL
- EXPOSED CABLE







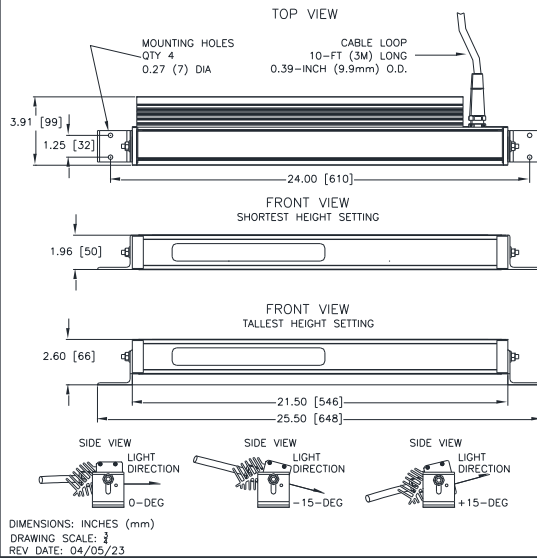




HELIPORT FLOODLIGHT H37

- LOW PROFILE 50mm HEIGHT
- SURFACE MOUNT
- ADJUSTABLE TILT ANGLE
- CABLE LOOP
- SAFE AREA OR HAZARDOUS LOCATIONS

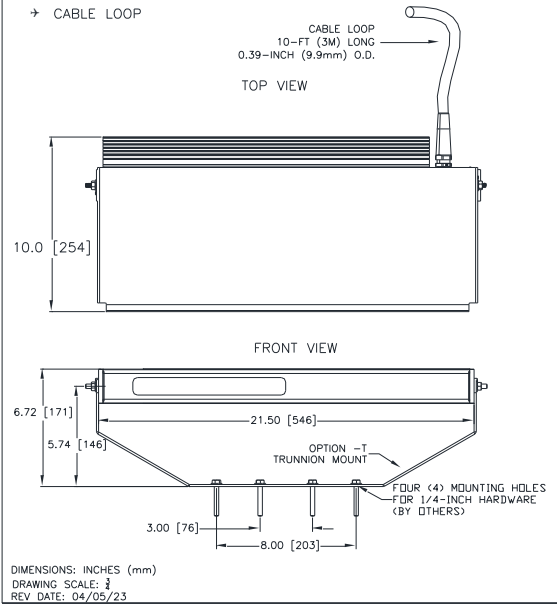
PSF-53063-6
PSF-53063-6-EX



HELIPORT FLOODLIGHT H38

- TRUNNION MOUNT
- SURFACE MOUNT
- ADJUSTABLE TILT ANGLE
- CABLE LOOP

PSF-53063-6-T-V



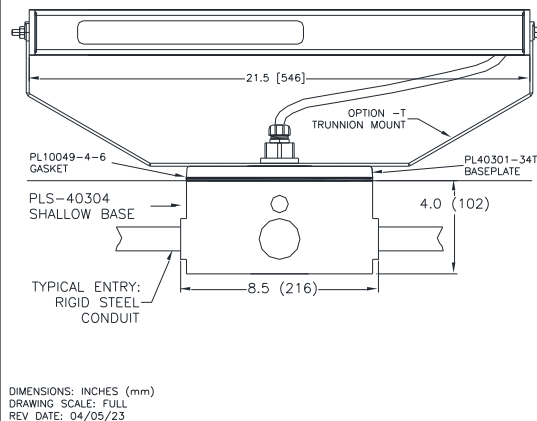
HELIPORT FLOODLIGHT H39

- TRUNNION MOUNT
- ADJUSTABLE TILT ANGLE
- PLS SHALLOW BASE
- RIGID CONDUIT ENTRY

PSF-53063-6-T-PLS-V

OVERALL HEIGHT: 7.3 (186) INCHES (mm)

ABOVE GRADE

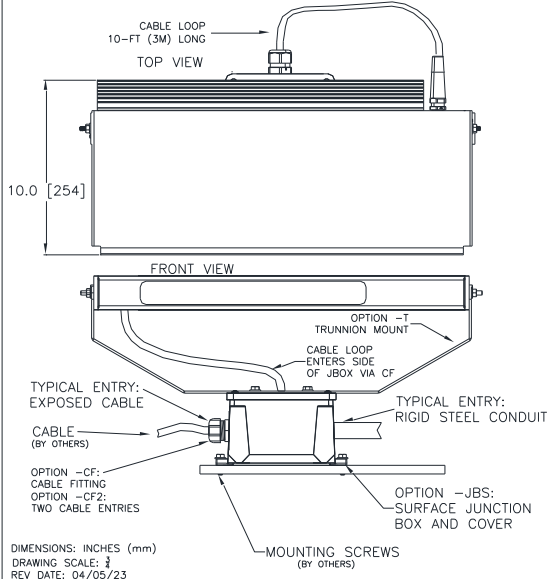


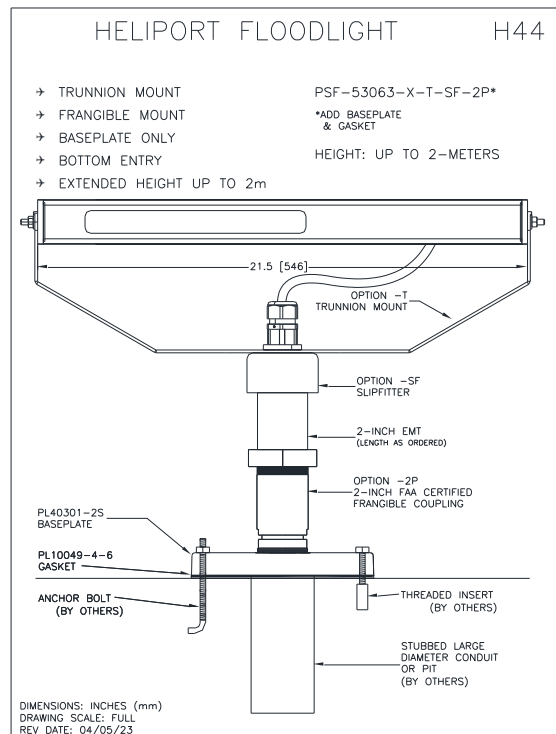
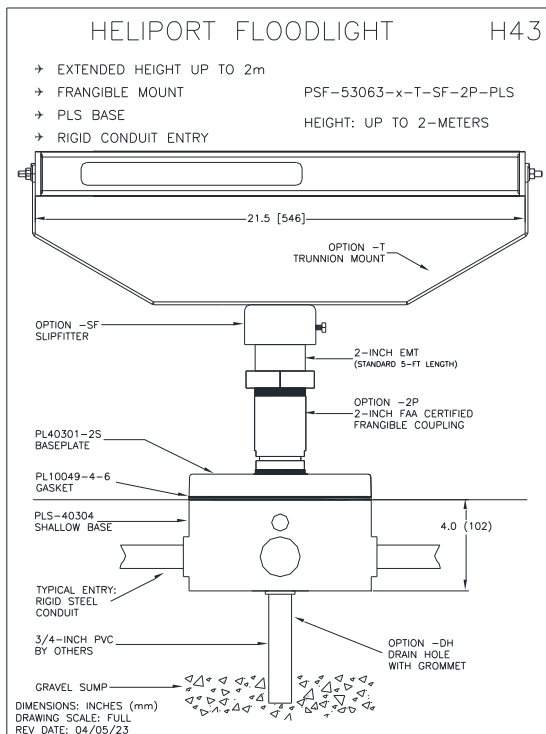
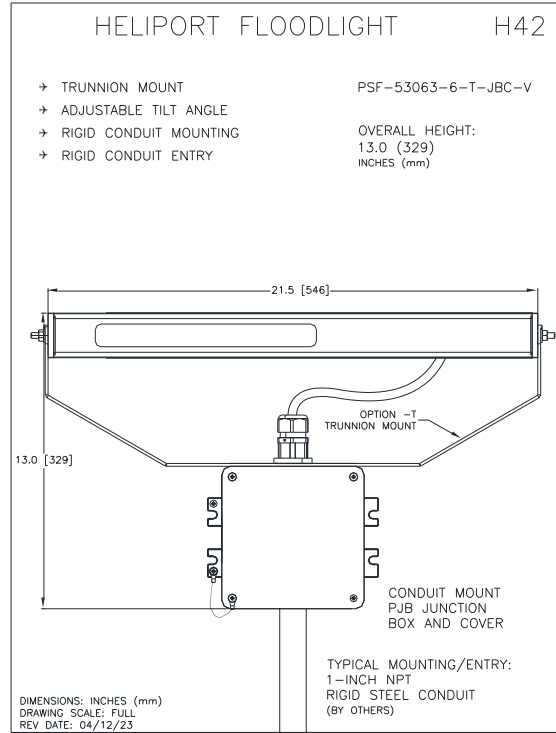
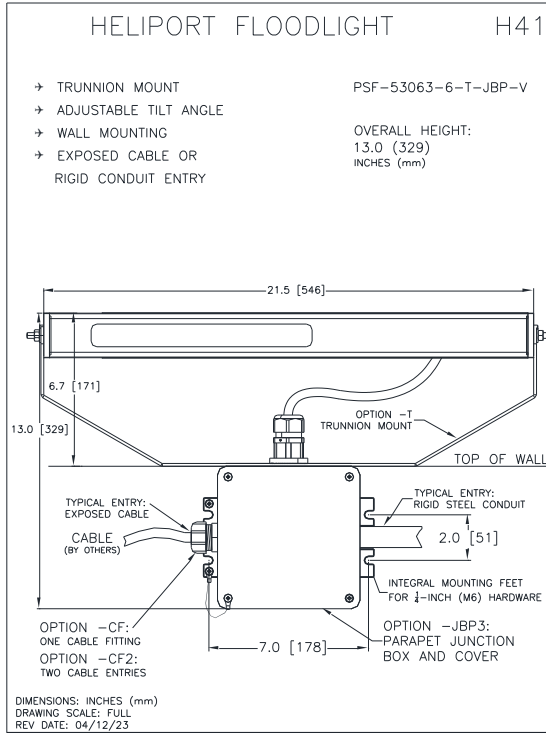
HELIPORT FLOODLIGHT H40

- TRUNNION MOUNT
- ADJUSTABLE TILT ANGLE
- SURFACE MOUNTED
- EXPOSED CABLE OR RIGID CONDUIT ENTRY

PSF-53063-6-T-JBS-V

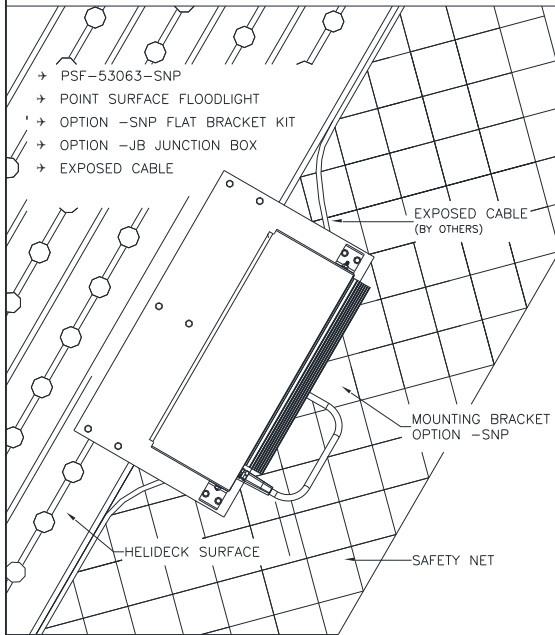
OVERALL HEIGHT: 10.9 (276) INCHES (mm)



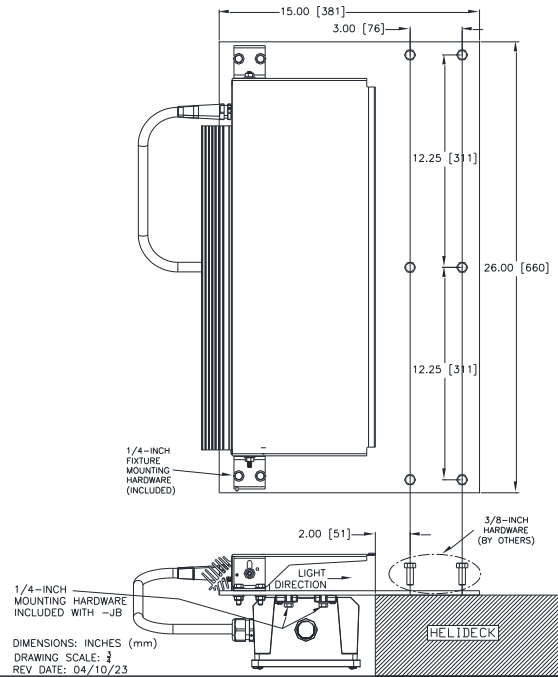


HELIDECK FLOODLIGHT –SNP OPTION

H45



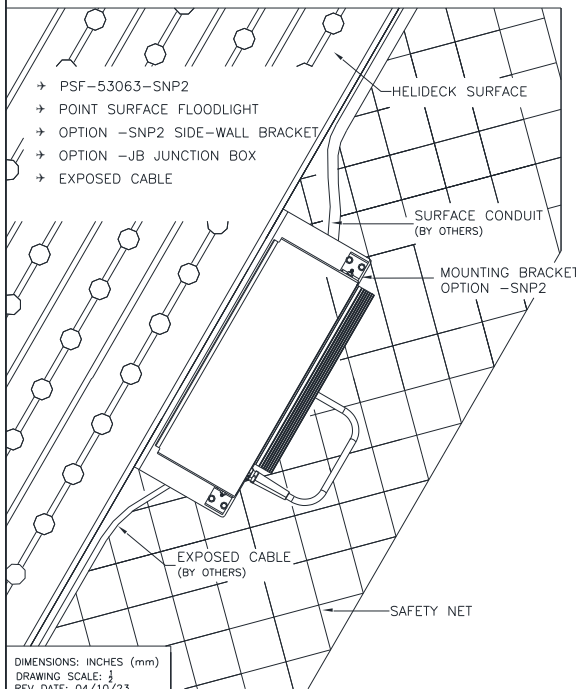
DIMENSIONS: INCHES (mm)
DRAWING SCALE: 1/4"
REV DATE: 04/10/23



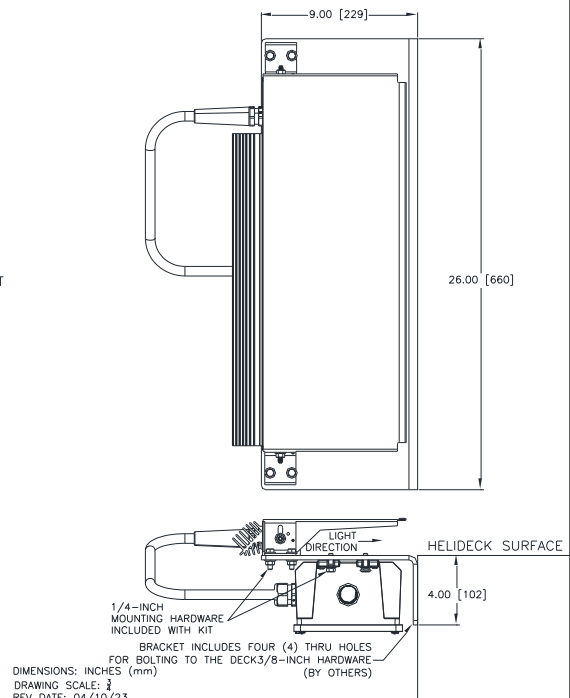
DIMENSIONS: INCHES (mm)
DRAWING SCALE: 1/4"
REV DATE: 04/10/23

HELIDECK FLOODLIGHT –SNP2 OPTION

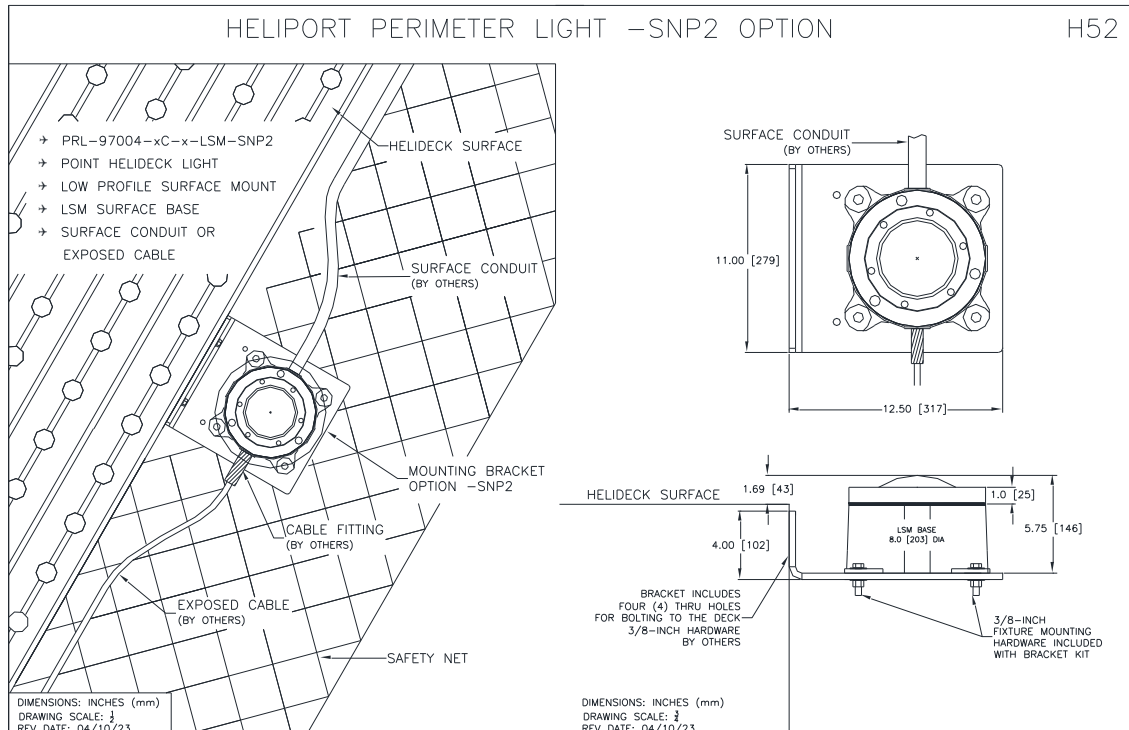
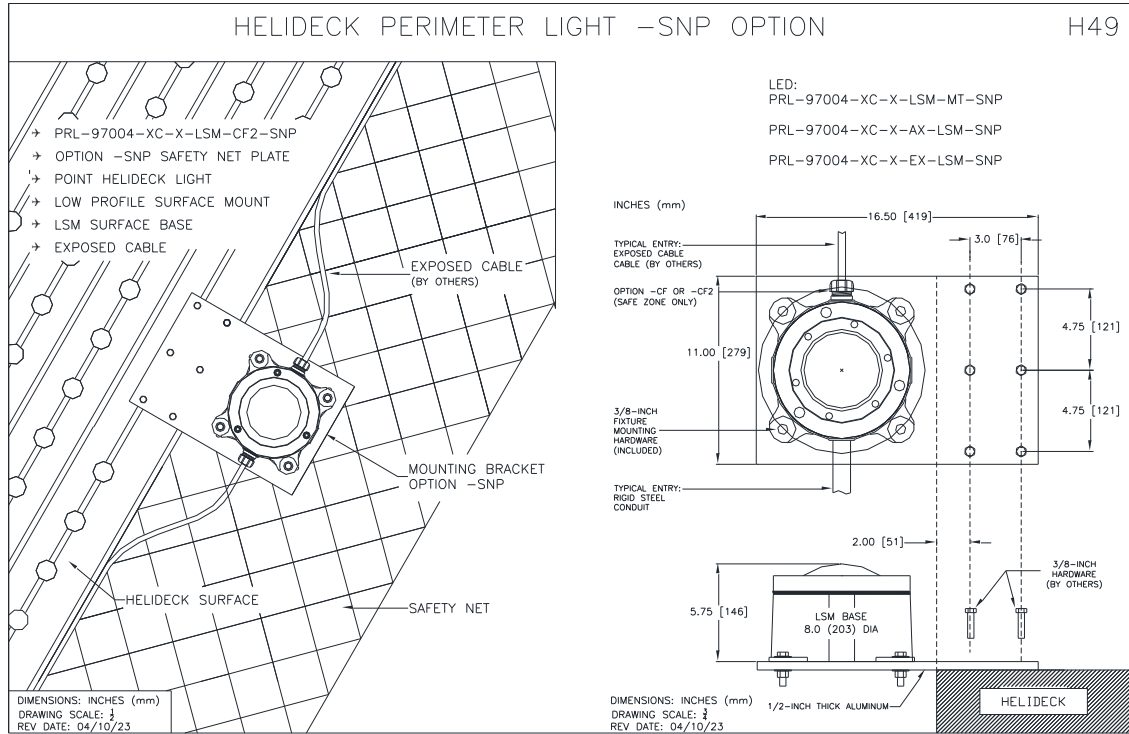
H48

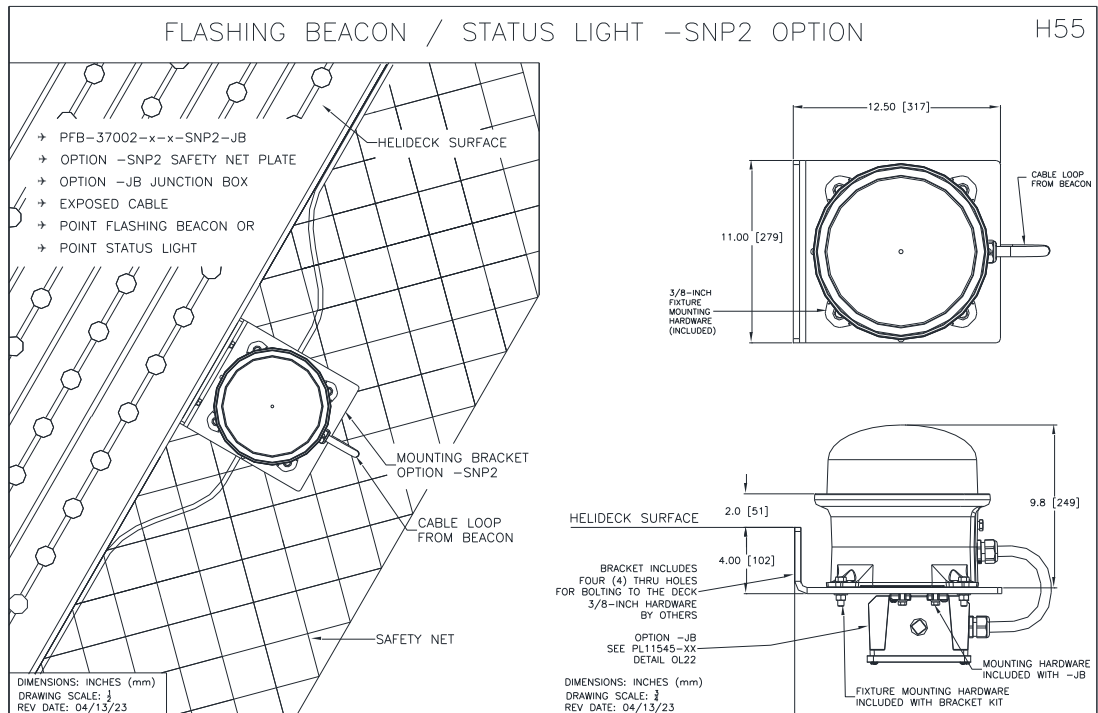
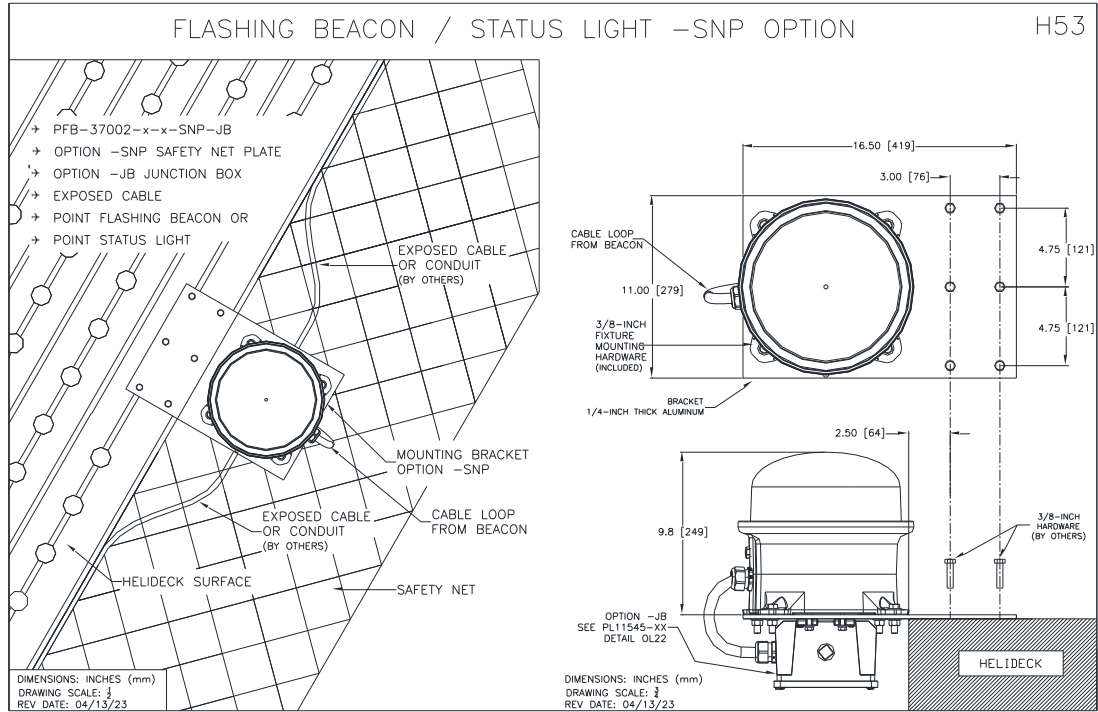


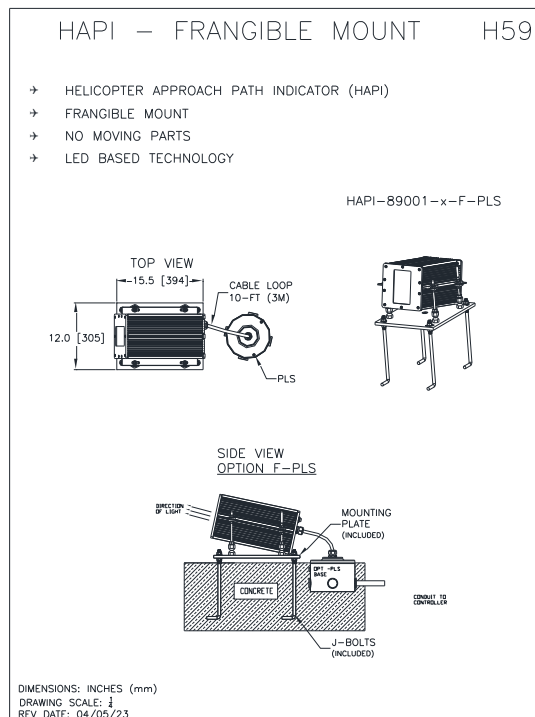
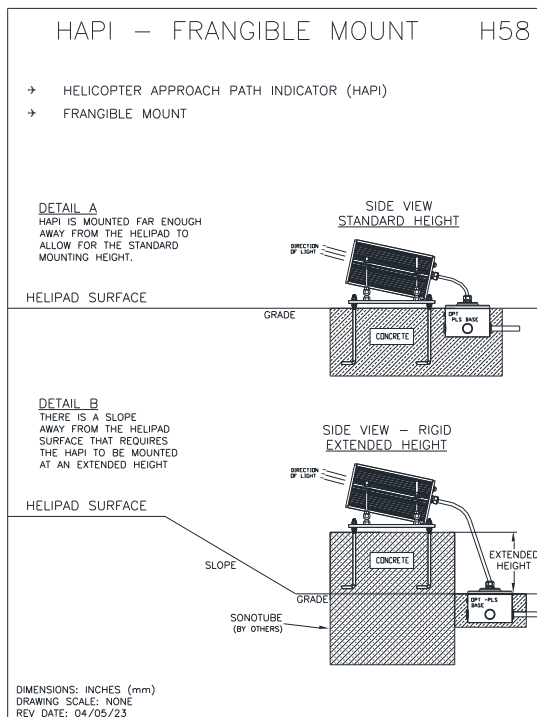
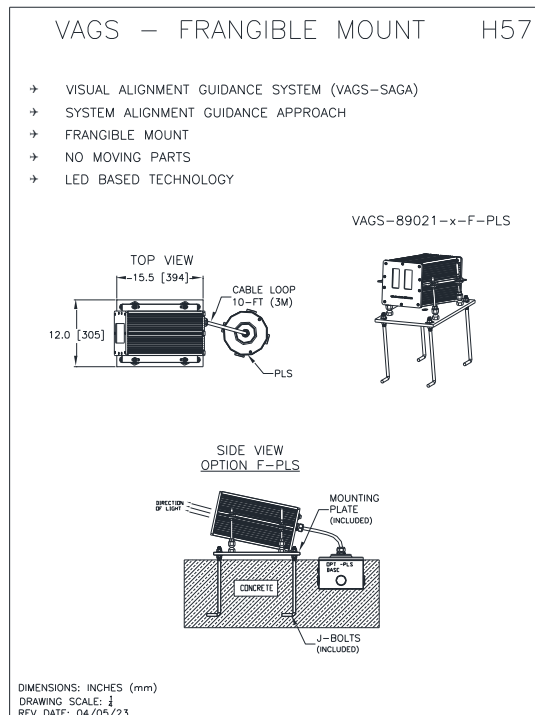
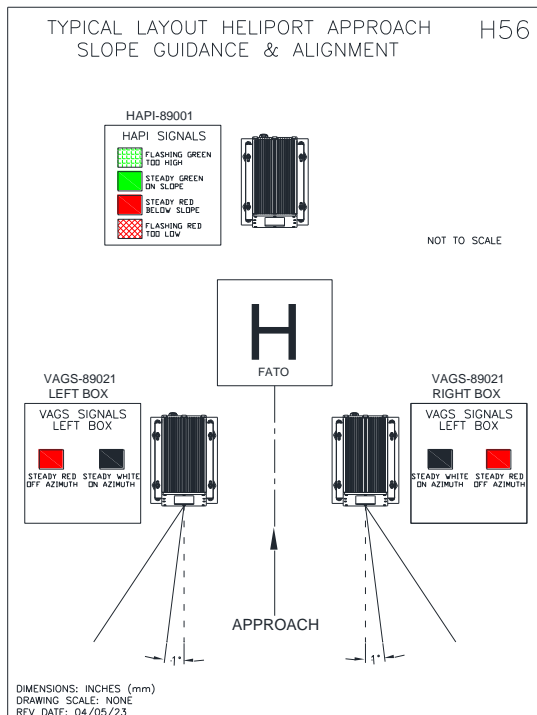
DIMENSIONS: INCHES (mm)
DRAWING SCALE: 1/4"
REV DATE: 04/10/23



DIMENSIONS: INCHES (mm)
DRAWING SCALE: 1/4"
REV DATE: 04/10/23



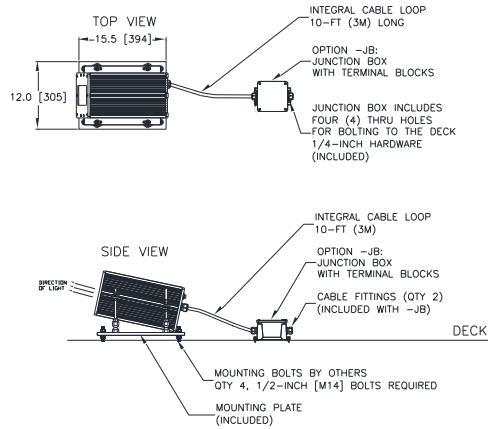




HAPI – FRANGIBLE MOUNT H60

- HELICOPTER APPROACH PATH INDICATOR (HAPI)
- FRANGIBLE MOUNT
- NO MOVING PARTS
- LED BASED TECHNOLOGY
- JUNCTION BOX OPTION

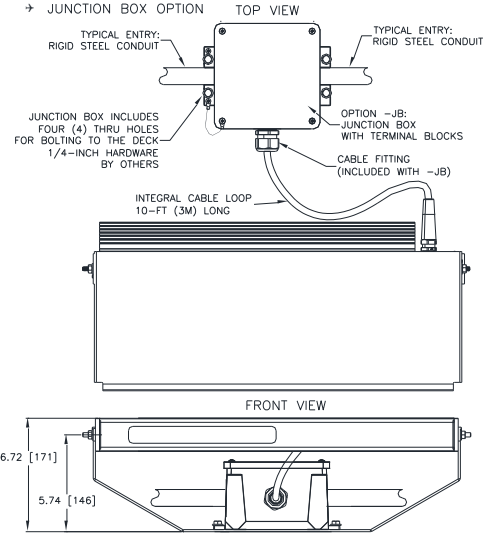
HAPI-89001-x-F-JB



DIMENSIONS: INCHES (mm)
DRAWING SCALE: 1/2"
REV DATE: 04/05/23

HELIPORT FLOODLIGHT H61

- TRUNNION MOUNT PSF-53063-6-T-JB-V
- SURFACE MOUNT
- ADJUSTABLE TILT ANGLE
- JUNCTION BOX OPTION

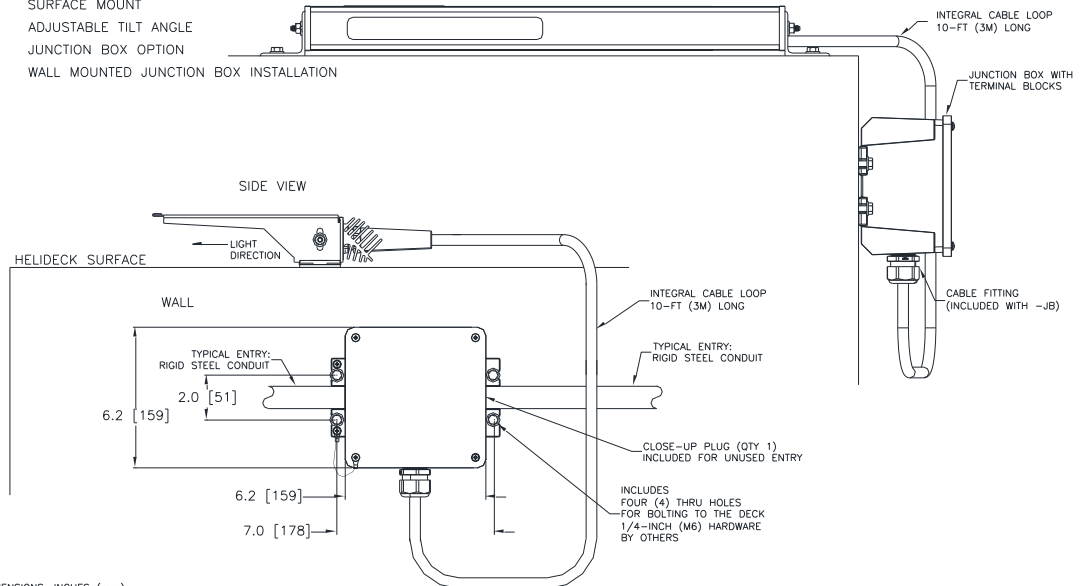


DIMENSIONS: INCHES (mm)
DRAWING SCALE: 1/2"
REV DATE: 04/05/23

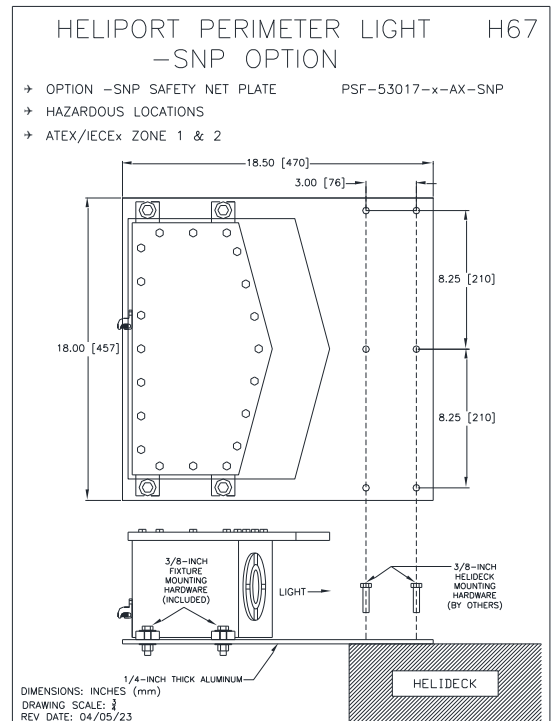
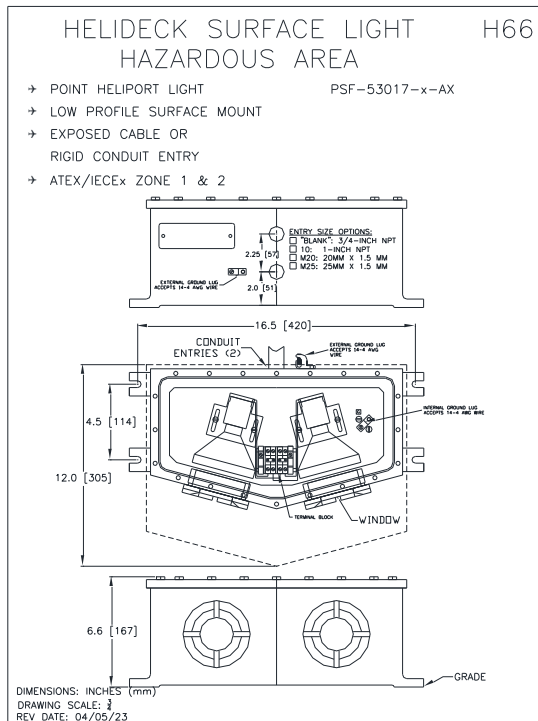
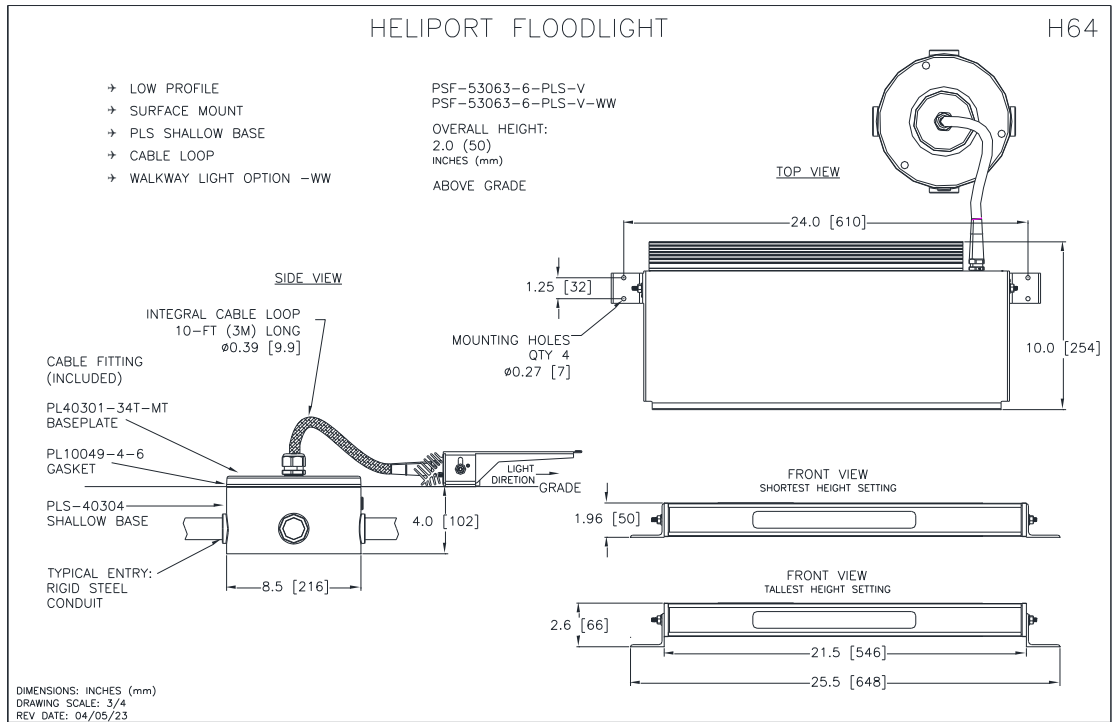
HELIPORT FLOODLIGHT – JUNCTION BOX OPTION H63

- LOW PROFILE
- SURFACE MOUNT
- ADJUSTABLE TILT ANGLE
- JUNCTION BOX OPTION
- WALL MOUNTED JUNCTION BOX INSTALLATION

PSF-53063-6-JB-V



DIMENSIONS: INCHES (mm)
DRAWING SCALE: FULL
REV DATE: 04/05/23

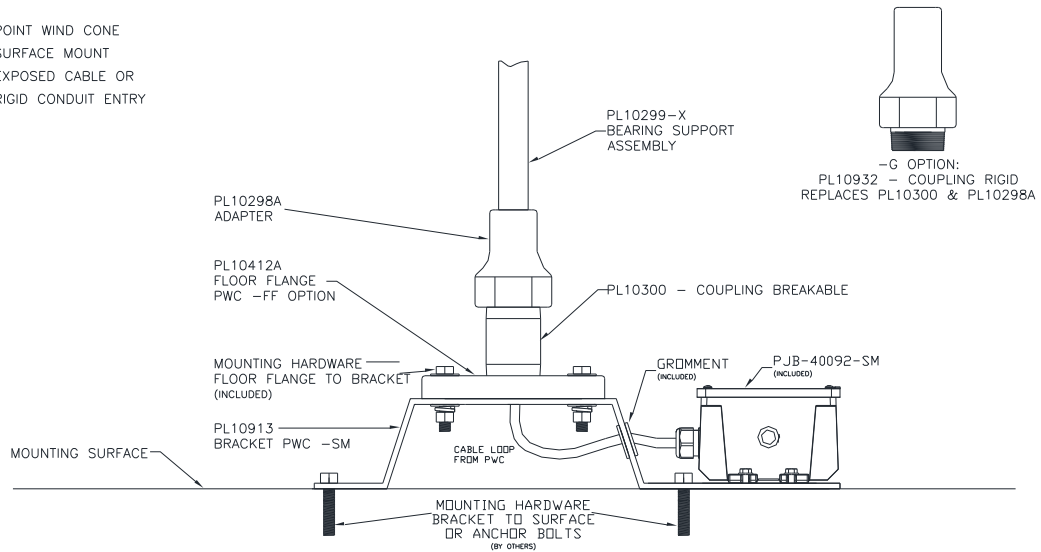


WIND CONE STAND MOUNT OPTION

W01

PWC OPTION -SM STAND MOUNT FOR WIND CONE PWC-8061X

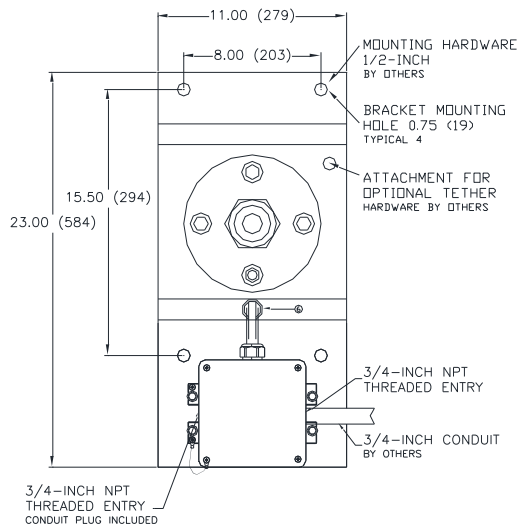
- POINT WIND CONE
- SURFACE MOUNT
- EXPOSED CABLE OR RIGID CONDUIT ENTRY



DIMENSIONS: INCHES (mm)
DRAWING SCALE: FULL
REV DATE: 04/12/23

PWC OPT -SM STAND MOUNT FOR WIND CONE PWC-8061X

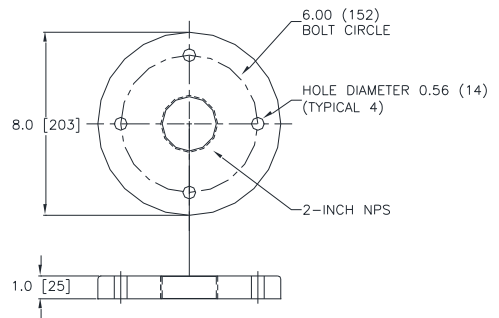
W03



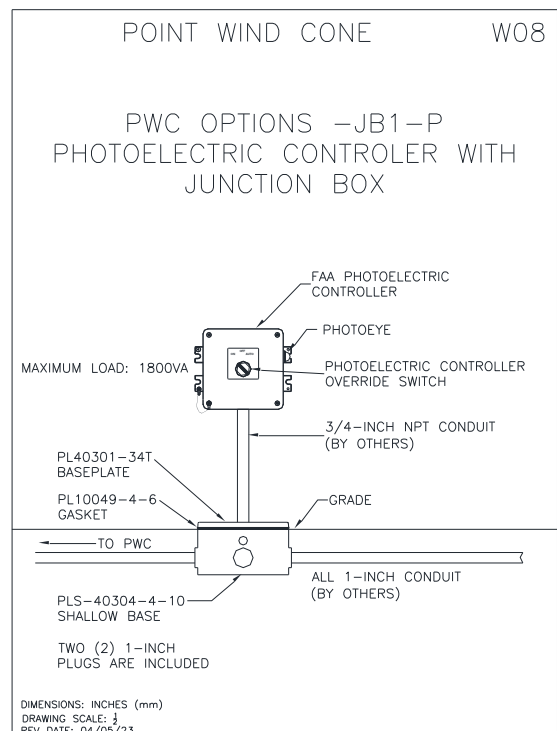
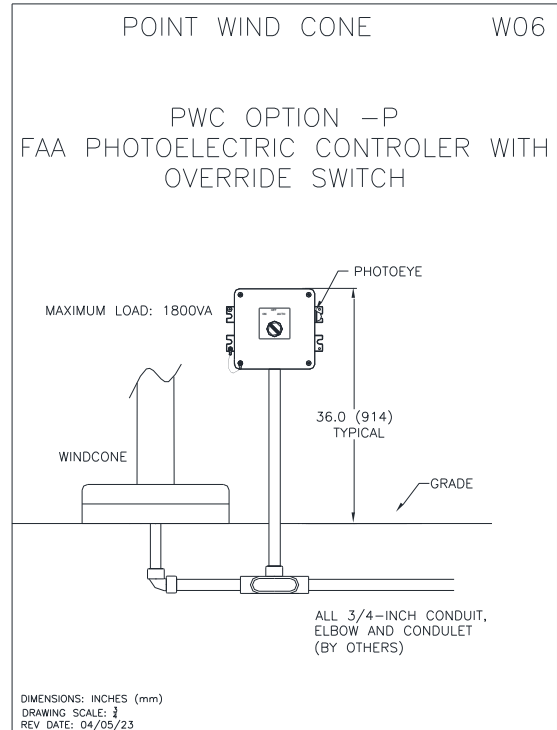
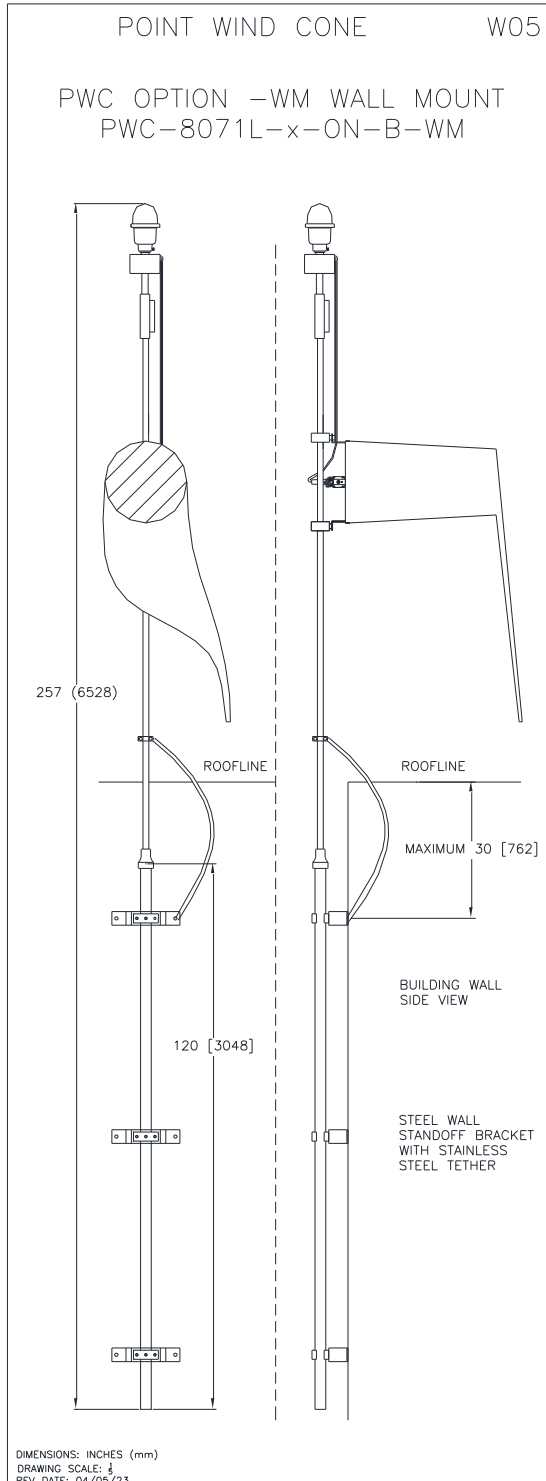
DIMENSIONS: INCHES (mm)
DRAWING SCALE: 3
REV DATE: 04/05/23

PWC OPT -FF FLOOR FLANG FOR WIND CONE PWC-8061X MOUNTING PATTERN

W04

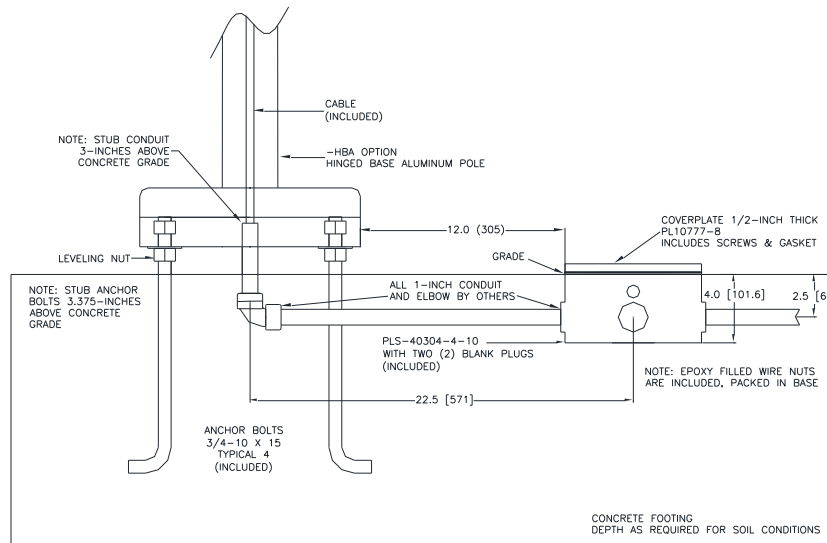


DIMENSIONS: INCHES (mm)
DRAWING SCALE: FULL
REV DATE: 04/05/23



PWC OPTION -JB
FOR WIND CONE PWC-8071X

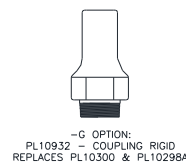
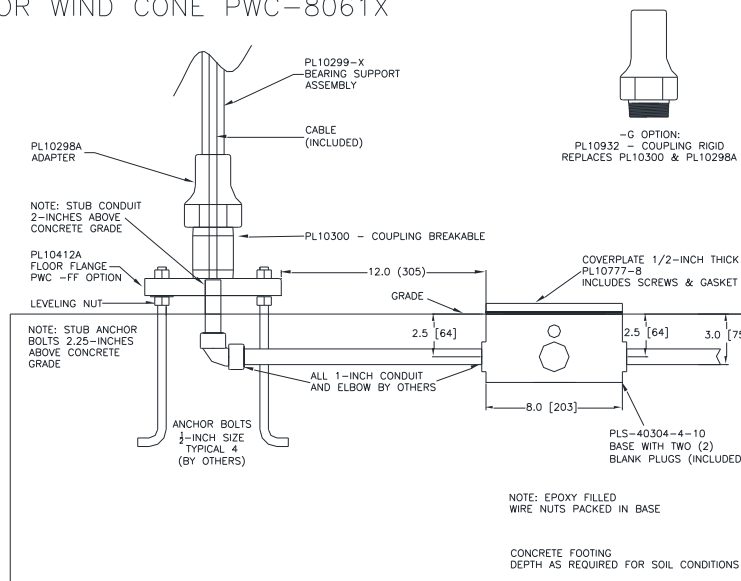
W09



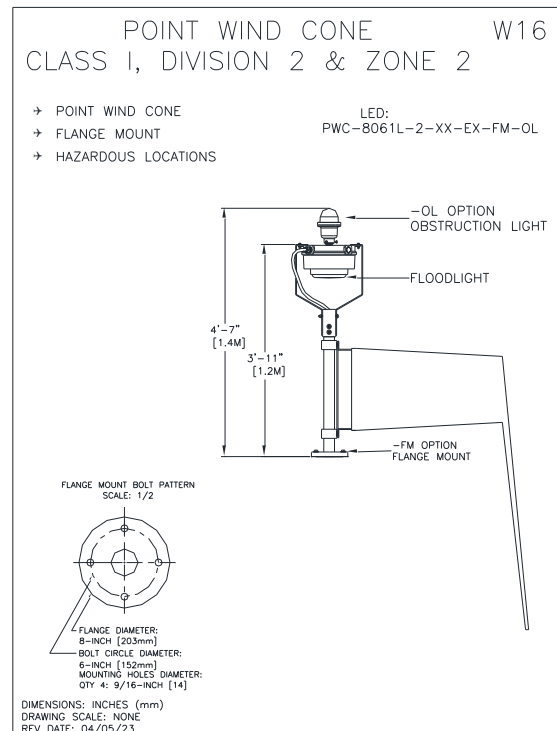
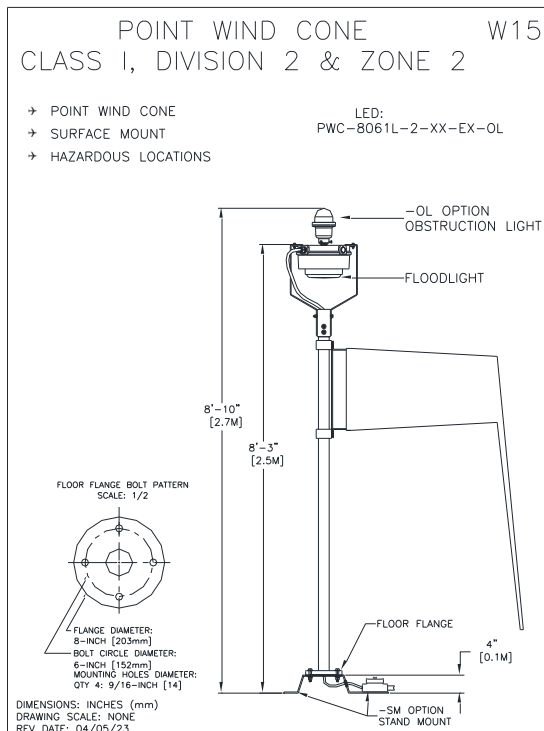
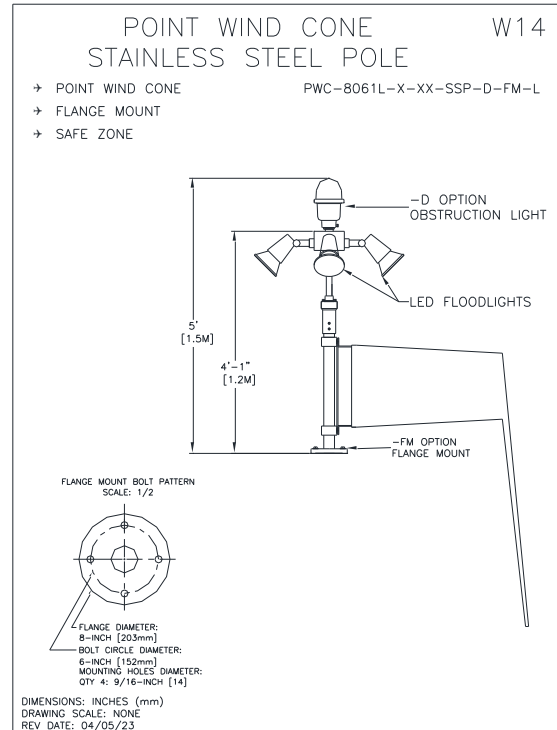
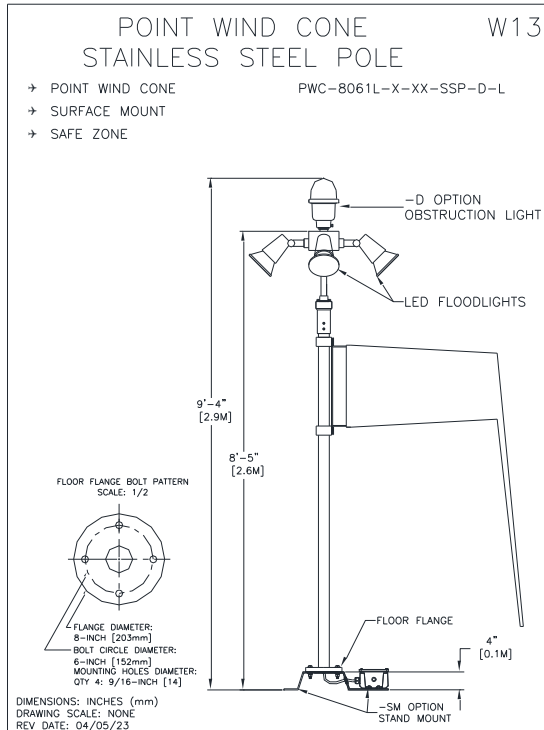
DIMENSIONS: INCHES (mm)
DRAWING SCALE: 3/4

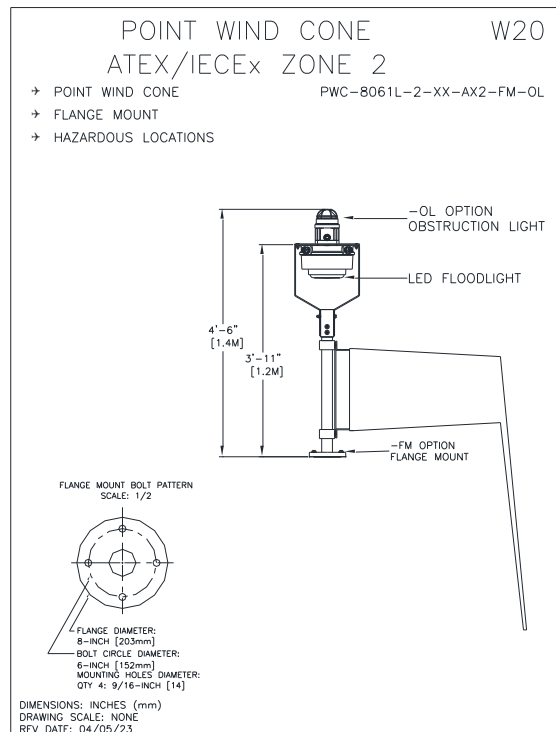
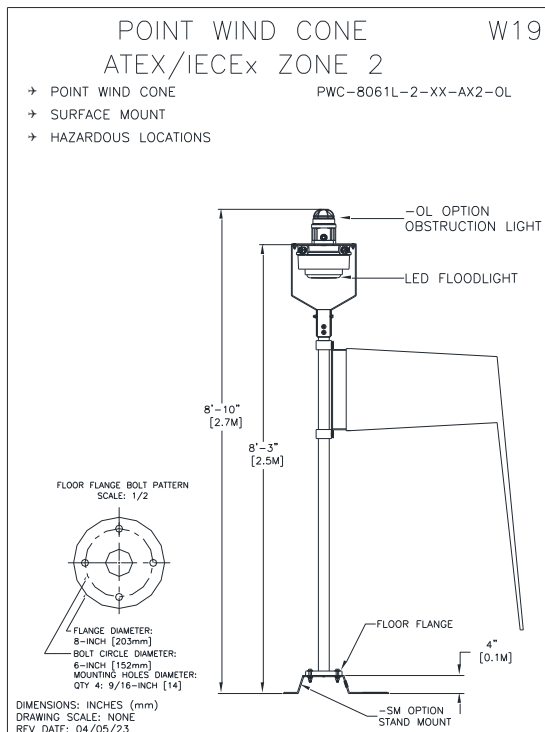
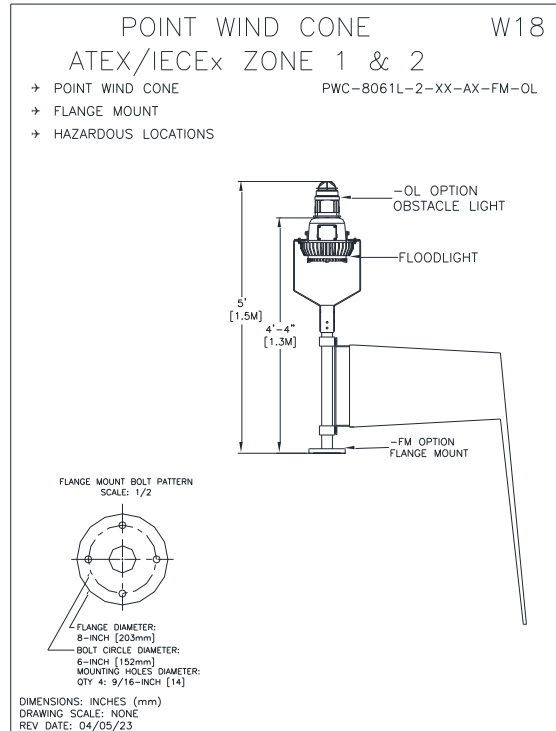
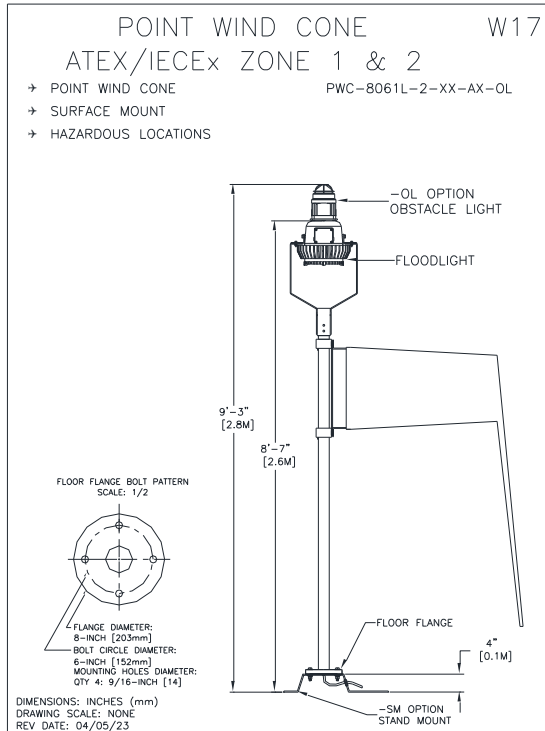
PWC OPTION -JB
FOR WIND CONE PWC-8061X

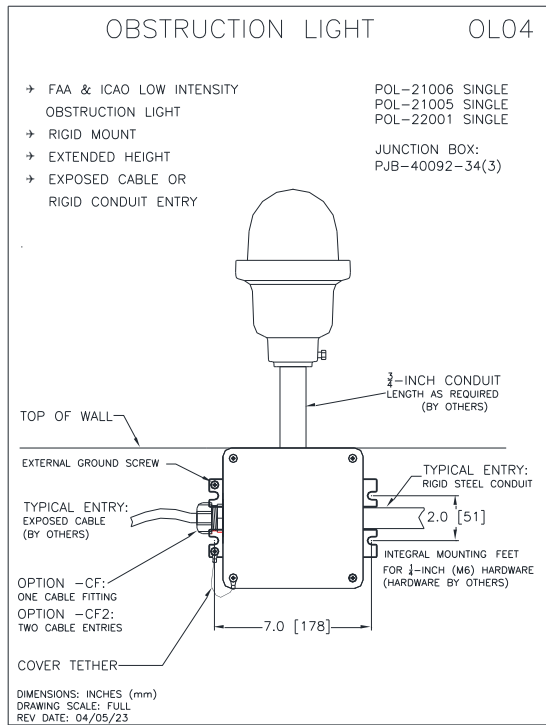
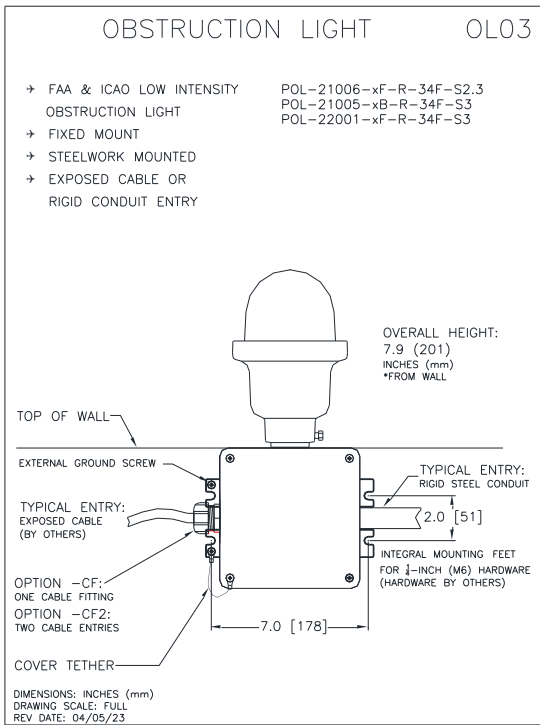
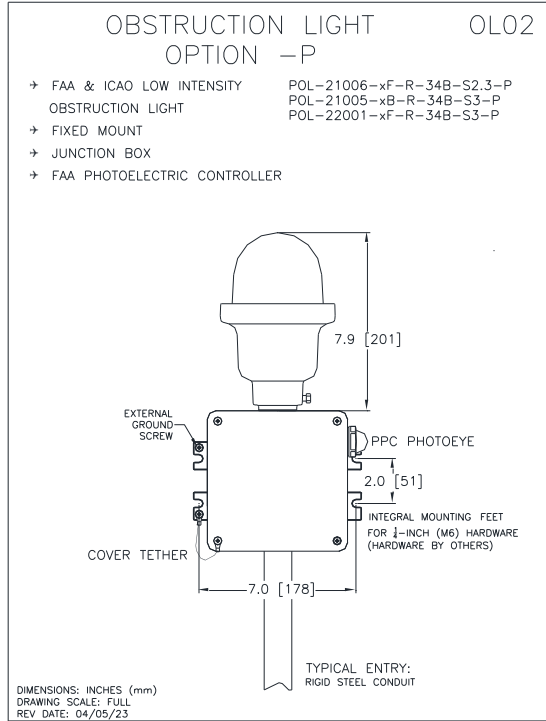
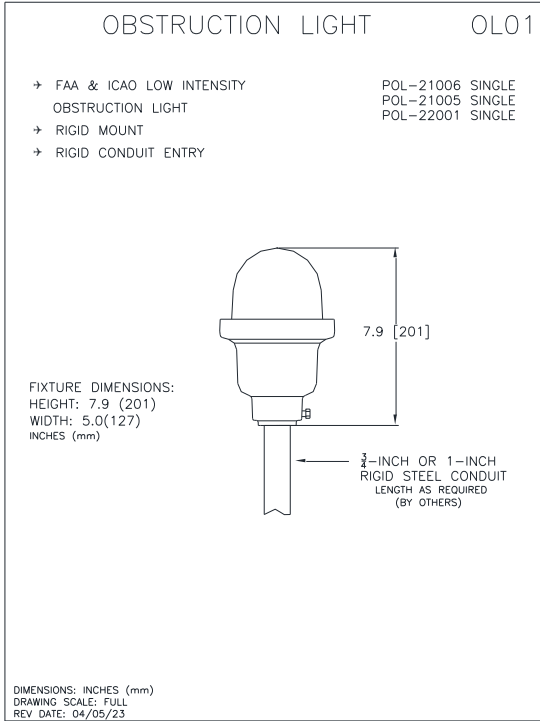
W12



DIMENSIONS: INCHES (mm)
DRAWING SCALE: 3/4

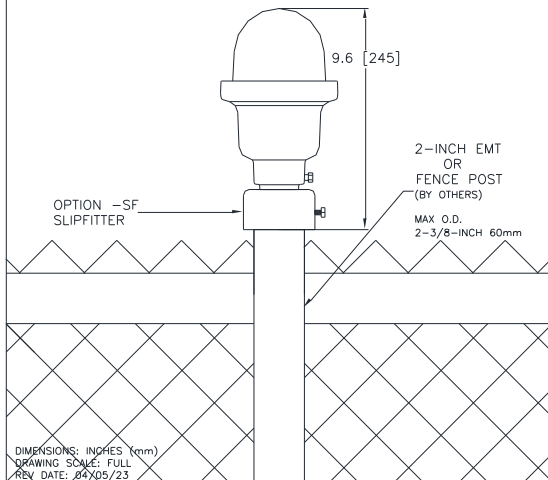






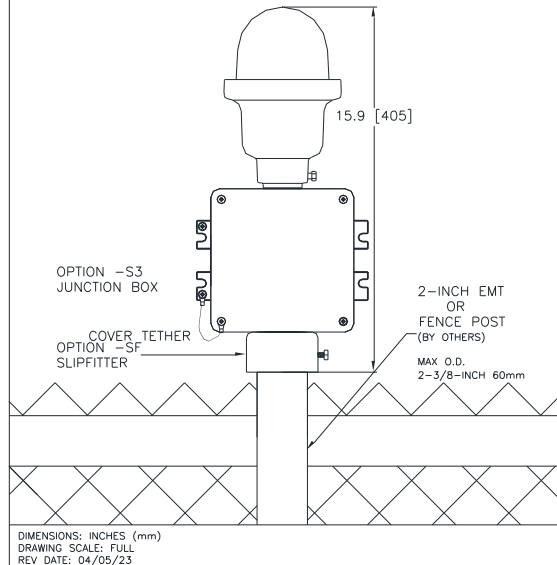
OBSTRUCTION LIGHT OL05

- SLIPFITTER -SF OPTION POL-21006-xF-R-SF-S2
- FENCE POST MOUNT POL-22001-xB-R-SF-S
- BOTTOM ENTRY POL-21005-xF-R-SF-S



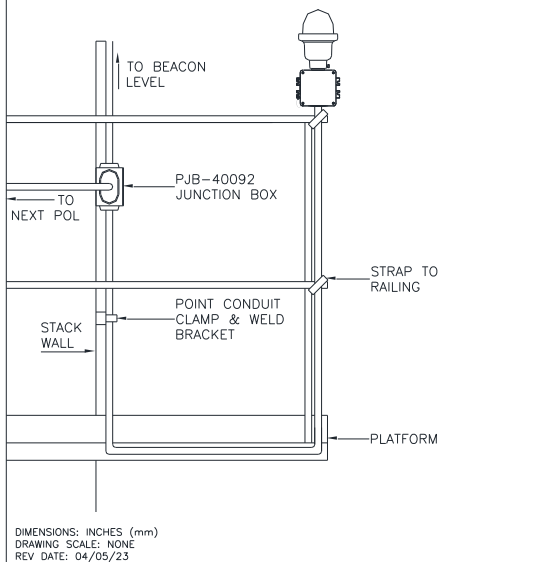
OBSTRUCTION LIGHT OL06

- SLIPFITTER -SF OPTION POL-21006-xF-R-SF-S2.3
- FENCE POST MOUNT POL-21005-xB-R-SF-S3
- JUNCTION BOX -S3 OPTION POL-22001-xF-R-SF-S3
- BOTTOM ENTRY



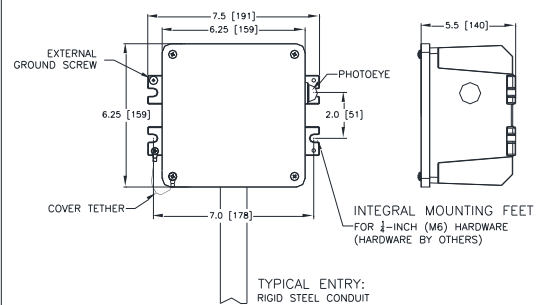
OBSTRUCTION LIGHT OL07

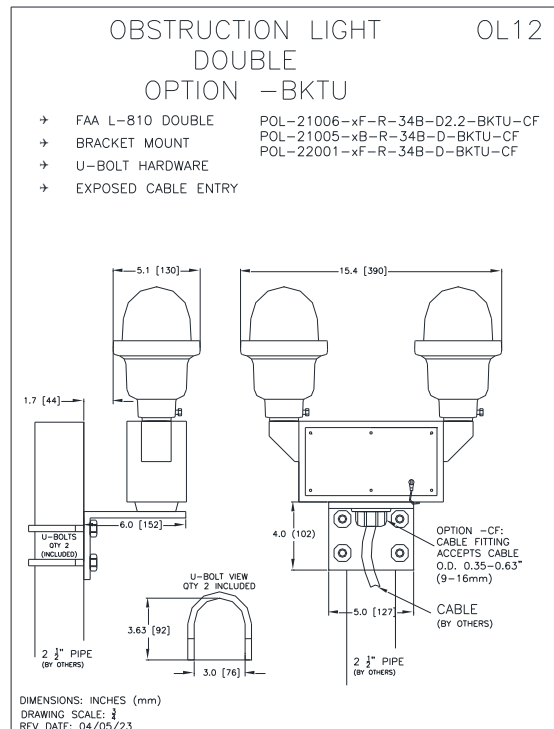
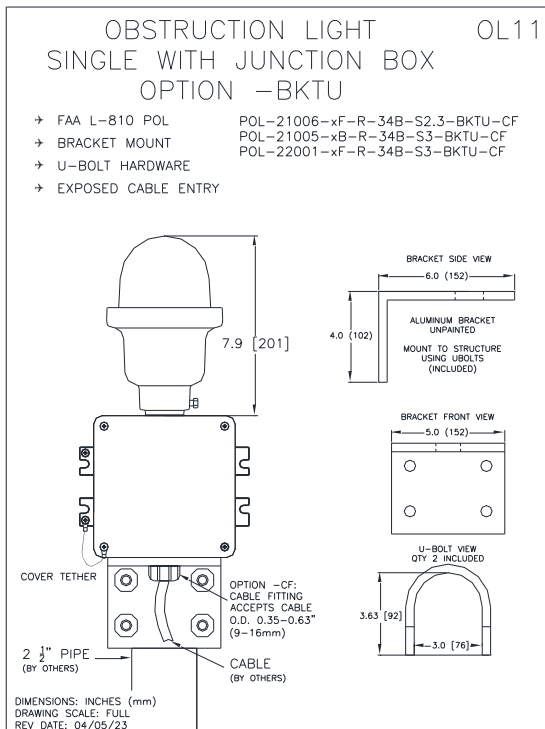
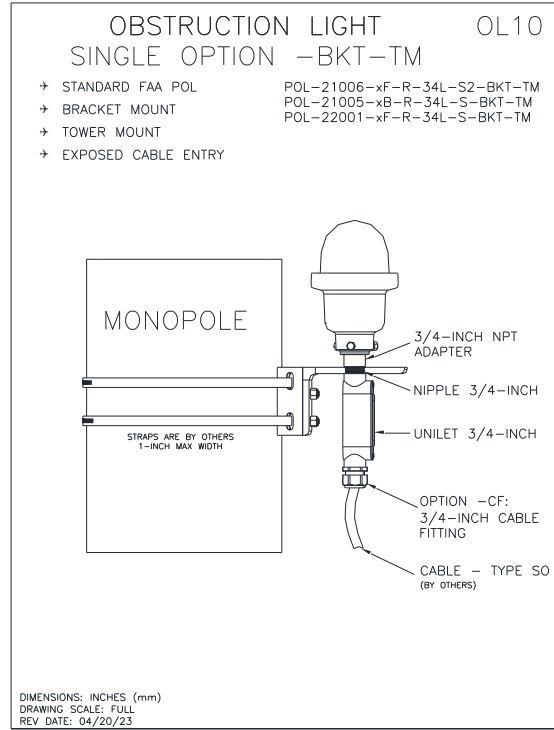
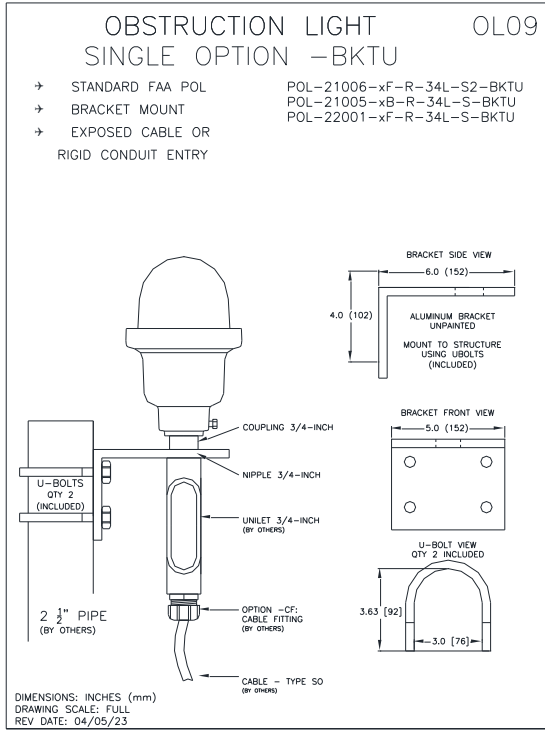
- FAA L-810 SINGLE LIGHT POL-21006-xF-R-34B-S2.3
- FIXED MOUNT POL-21005-xB-R-34B-S3
- TYPICAL STACK DETAIL POL-22001-xF-R-34B-S3



PHOTOELECTRIC CONTROLLER OL08

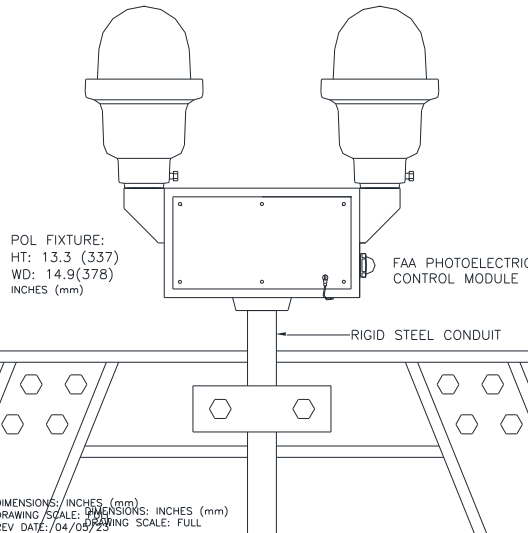
- FAA PHOTOELECTRIC CONTROLLER PPC-40700-1-XX
- INTEGRAL MOUNTING FEET
- CAPTIVE COVER SCREWS
- EXTERNAL GROUND SCREW
- RIGID CONDUIT ENTRY





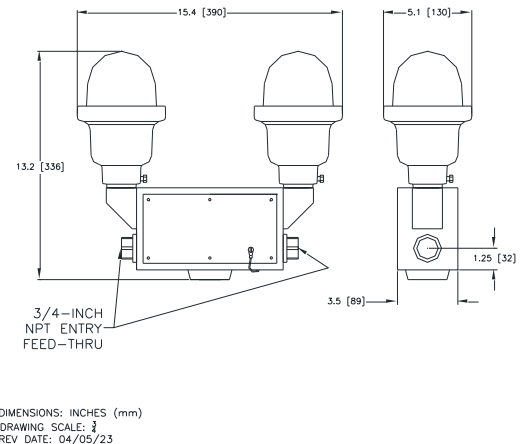
OBSTRUCTION LIGHT OL13 DOUBLE -P OPT PHOTOCELL

- FAA L-810 DOUBLE LIGHT POL-21006-xF-R-34B-D2.2-P
- FIXED MOUNT POL-21005-xB-R-34B-D2.2-P
- CONDUIT MOUNTED POL-22001-xF-R-34B-D-P
- RIGID CONDUIT ENTRY

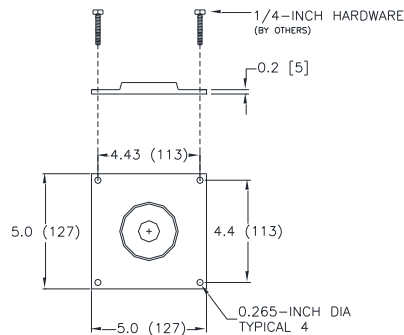


OBSTRUCTION LIGHT OL14 DOUBLE

- FAA L-810 DOUBLE LIGHT POL-21006-xF-R-34F-D2.2
- FIXED MOUNT POL-21005-xB-R-34F-D
- STEELWORK MOUNTED
- FEED-THRU ENTRY

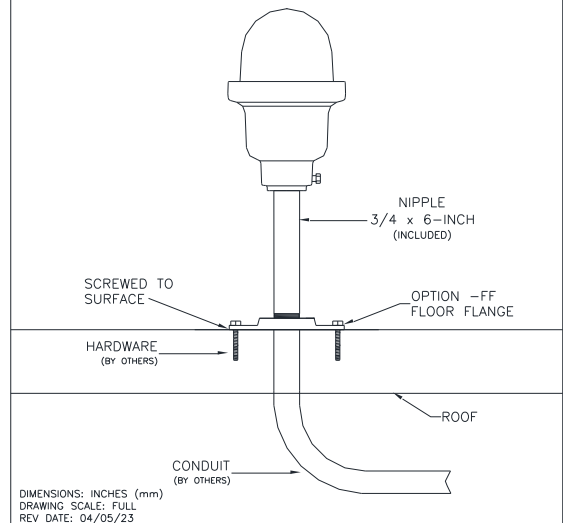


MOUNTING PATTERN OPTION -FF FLOOR FLANGE OL15



OBSTRUCTION LIGHT OL16

- FAA L-810 SINGLE LIGHT POL-21006-xF-R-34B-S2-FF
- FIXED MOUNT POL-21005-xB-R-34B-S-FF
- SURFACE MOUNTED POL-22001-xF-R-34B-S-FF





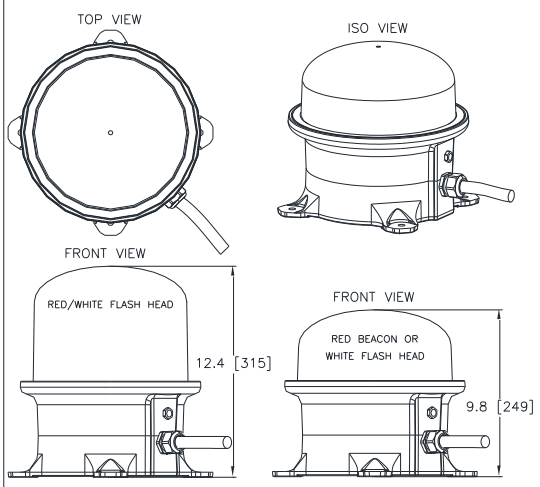
POINT LIGHTING CORPORATION

POINT LIGHTING SPECIFICATION GUIDANCE PRODUCT MOUNTING DETAILS

FLASHING BEACON OL17

- FAA L-864 FLASHING BEACON
- FAA L-864/865 DUAL FLASHING BEACON
- ICAO C STEADY-BURNING BEACON
- HAZARDOUS LOCATIONS AVAILABLE CLASS 1, DIVISION 2 (ZONE 2)
- CABLE LOOP

PFB-37002-R-x-EX-NC
PFB-37002-RW-x-EX-NC
PFB-37002-W-x-EX-NC

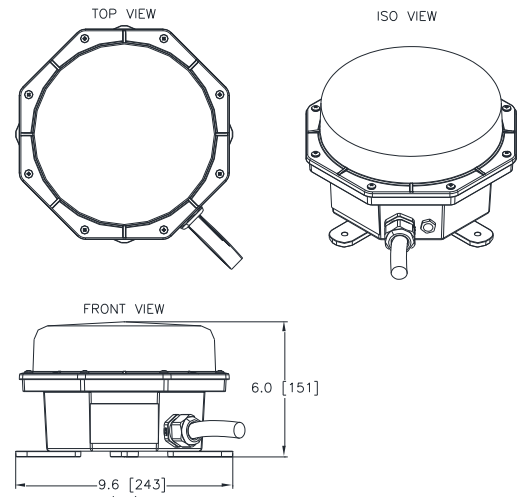


DIMENSIONS: INCHES (mm)
DRAWING SCALE: 3/4
REV DATE: 04/05/23

FLASHING BEACON OL18

- FAA L-864 FLASHING BEACON
- ICAO C STEADY-BURNING BEACON
- INTEGRAL FLASHER MODULE
- INTEGRAL PHOTOCELL
- INTEGRAL GPS ANTENNA
- CABLE LOOP

PFB-37003-R-x

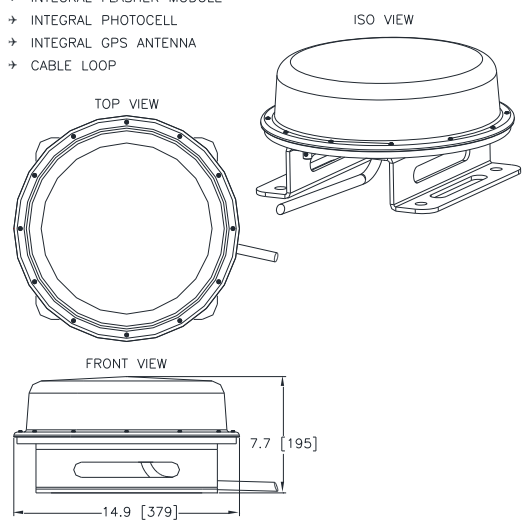


DIMENSIONS: INCHES (mm)
DRAWING SCALE: FULL
REV DATE: 04/05/23

FLASHING BEACON OL19

- FAA L-864/865 DUAL FLASHING BEACON
- FAA L-865 WHITE FLASHING BEACON
- ICAO C STEADY-BURNING RED BEACON
- ALL-IN-ONE FIXTURE DESIGN
- INTEGRAL FLASHER MODULE
- INTEGRAL PHOTOCELL
- INTEGRAL GPS ANTENNA
- CABLE LOOP

PFB-37004-RW-1
PFB-37004-W-1

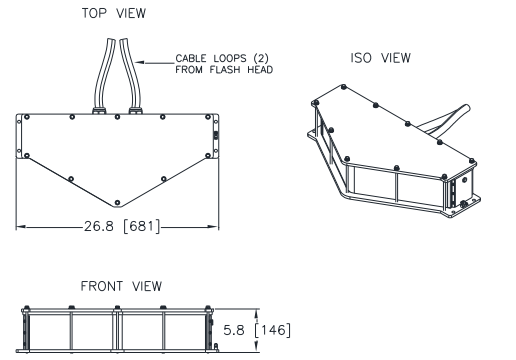


DIMENSIONS: INCHES (mm)
DRAWING SCALE: 3/4
REV DATE: 04/05/23

FLASHING BEACON OL20

- HIGH INTENSITY FLASHING BEACON
- FAA TYPE L-856 WHITE
- FAA L-856/L-864 DUAL RED/WHITE
- ICAO TYPES A & B
- CABLE LOOPS

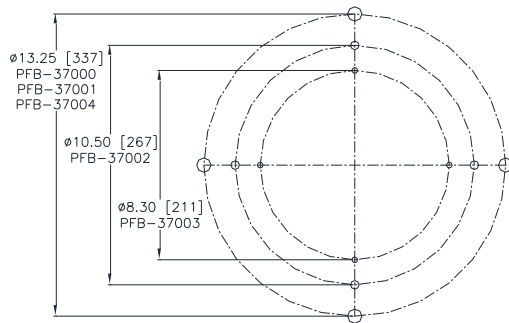
PFB-38111-WR-1-XX
PFB-38111-W-1-XX



DIMENSIONS: INCHES (mm)
DRAWING SCALE: 3/4
REV DATE: 04/05/23

OBSTRUCTION BEACON MOUNTING PATTERN FOR POINT LIGHTING BEACONS

OL21



PREDRILLED MOUNTING BRACKETS ARE AVAILABLE

| POINT BEACON | MOUNTING BOLT CIRCLE / HOLE DIAMETER | FASTENER |
|--------------|--------------------------------------|---------------|
| PFB-37000 | Ø 13.25 / Ø.73 | 5/8 IN. [M18] |
| PFB-37001 | Ø 13.25 / Ø.73 | 5/8 IN. [M18] |
| PFB-37002 | Ø 10.50 / Ø.42 | 3/8 IN. [M10] |
| PFB-37003 | Ø 8.30 / Ø.28 | 1/4 IN. [M6] |
| PFB-37004 | Ø 13.25 / Ø.73 | 5/8 IN. [M18] |

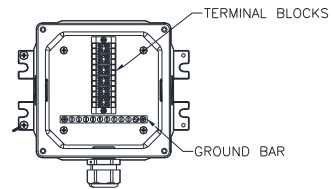
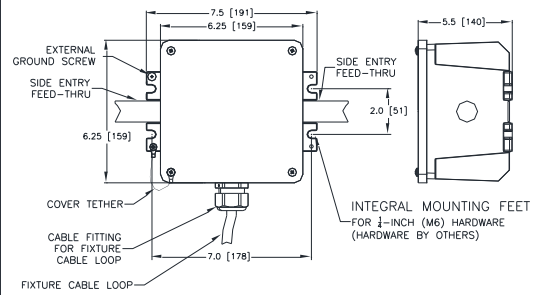
DIMENSIONS: INCHES (mm)
DRAWING SCALE: FULL
REV DATE: 04/05/23

POINT JUNCTION BOX

OL22

- JUNCTION BOX
- INTEGRAL MOUNTING FEET
- CAPTIVE COVER SCREWS
- EXTERNAL GROUND SCREW
- TERMINAL BLOCKS
- IP66 & IP67 RATED

PL11545-XX



DIMENSIONS: INCHES (mm)
DRAWING SCALE: FULL
REV DATE: 04/05/23

OL23

INTENTIONALLY LEFT BLANK

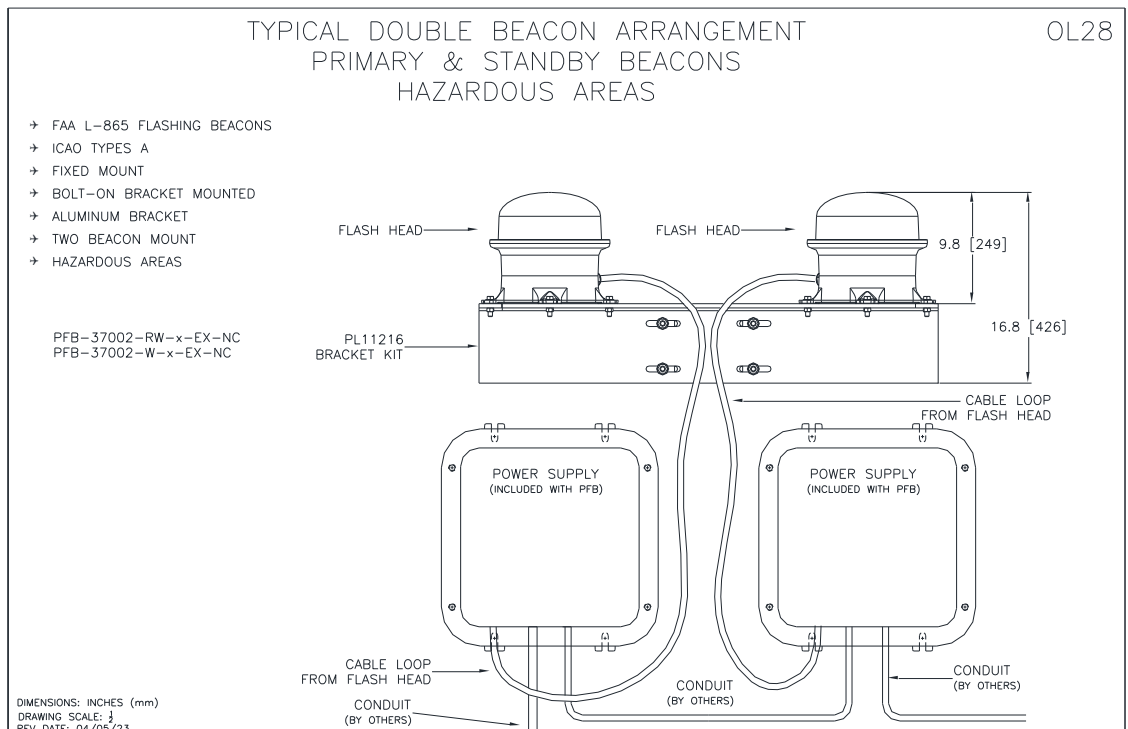
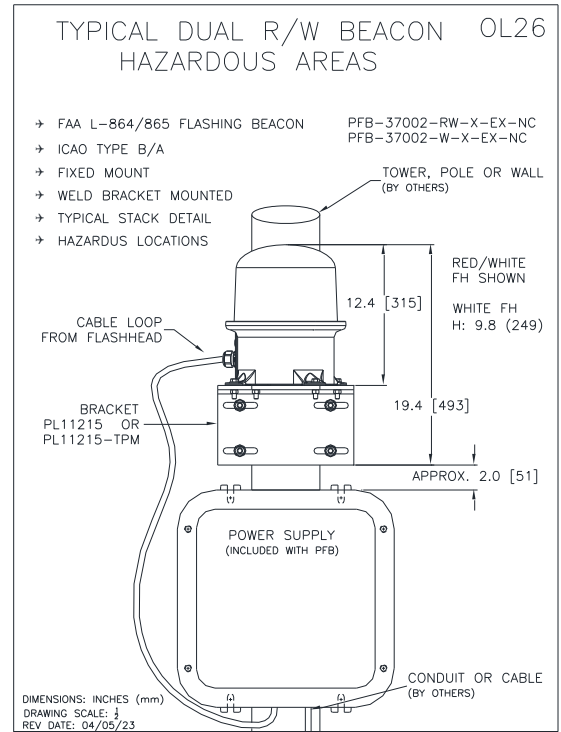
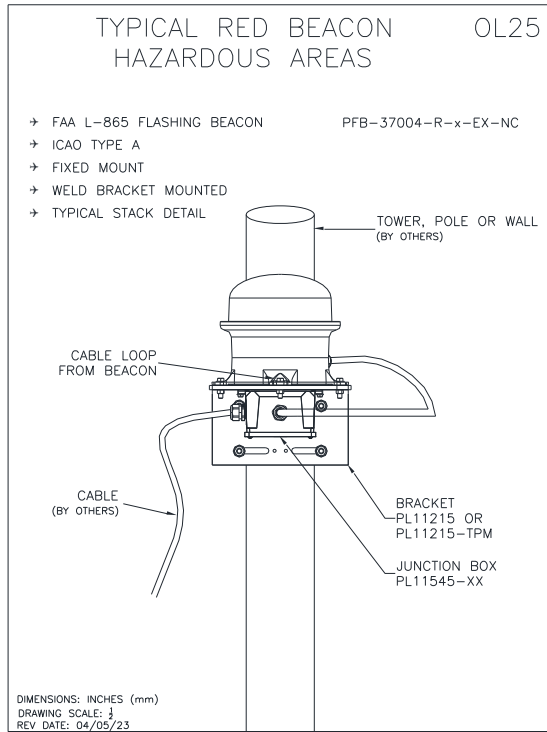
DIMENSIONS: INCHES (mm)
DRAWING SCALE: FULL
REV DATE: 04/05/23

OL24

INTENTIONALLY LEFT BLANK

DIMENSIONS: INCHES (mm)
DRAWING SCALE: FULL
REV DATE: 04/05/23

POINT LIGHTING SPECIFICATION GUIDANCE PRODUCT MOUNTING DETAILS





**SINGLE BEACON BRACKET PL11215
WALL MOUNT**

OL29

- FAA L-864 FLASHING BEACON PFB-37003-R-x
- FIXED MOUNT
- BOLT-ON BRACKET MOUNTED
- ALUMINUM BRACKET
- ONE BEACON MOUNT
- PL11215 BRACKET KIT ALUMINUM
- PL11545-xx JUNCTION BOX

316L STAINLESS STEEL
BEACON MOUNTING
HARDWARE INCLUDED

DIMENSIONS: INCHES (mm)
DRAWING SCALE: FULL
REV DATE: 04/05/23

**SINGLE BEACON BRACKET PL11215-TPM
TOWER-POLE MOUNT**

OL32

- FAA L-864 FLASHING BEACON PFB-37003-R-x
- FIXED MOUNT
- BOLT-ON BRACKET MOUNTED
- ALUMINUM BRACKET
- ONE BEACON MOUNT
- PL11215-TPM BRACKET KIT
TOWER/POLE MOUNT ALUMINUM
- PL11545-xx JUNCTION BOX

316L STAINLESS STEEL
BEACON MOUNTING
HARDWARE INCLUDED

DIMENSIONS: INCHES (mm)
DRAWING SCALE: 3/4
REV DATE: 04/05/23



POINT LIGHTING CORPORATION

POINT LIGHTING SPECIFICATION GUIDANCE PRODUCT MOUNTING DETAILS

SINGLE BEACON BRACKET PL11215
WALL MOUNT OL33

- FAA L-864 & L-865
- FIXED MOUNT
- BOLT-ON BRACKET MOUNTED
- ALUMINUM BRACKET
- ONE BEACON MOUNT
- PL11215 BRACKET KIT ALUMINUM
- PL11545-xx JUNCTION BOX

PFB-37004-RW-1
PFB-37004-W-1

BOLT TO STRUCTURE
1/2-INCH HARDWARE
REQUIRED (BY OTHERS)

316L STAINLESS STEEL
BEACON MOUNTING
HARDWARE INCLUDED

DIMENSIONS: INCHES (mm)
DRAWING SCALE: 3/4
REV. DATE: 04/05/23

SINGLE BEACON BRACKET PL11215-TPM
TOWER-POLE MOUNT OL36

- FAA L-864 & L-865
- FIXED MOUNT
- BOLT-ON BRACKET MOUNTED
- ALUMINUM BRACKET
- ONE BEACON MOUNT
- PL11215-TPM BRACKET KIT
TOWER/POLE MOUNT ALUMINUM
- PL11545-xx JUNCTION BOX

PFB-37004-xx-yy-zz

TOWER / POLE
3 TO 6-INCH DIA

BRACKET SUPPORT
CHANNEL
(QTY 4 INCLUDED)

BOLT TO STRUCTURE
1/2-INCH, 316
STAINLESS STEEL
HARDWARE INCLUDED

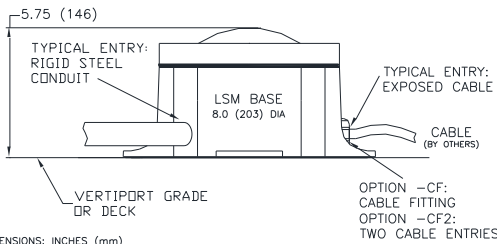
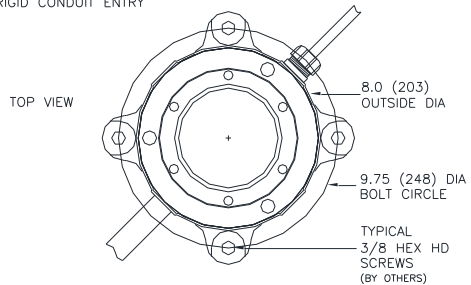
PL11545-XX
JUNCTION BOX

316L STAINLESS STEEL
BEACON MOUNTING
HARDWARE INCLUDED

DIMENSIONS: INCHES (mm)
DRAWING SCALE: 3/4
REV. DATE: 04/05/23

VERTIPORT PERIMETER LIGHT V01

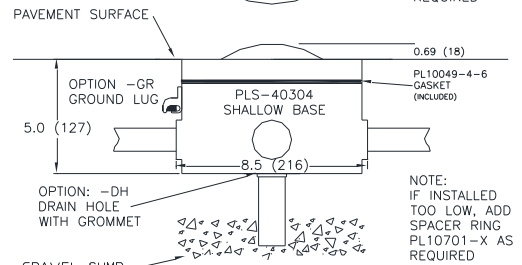
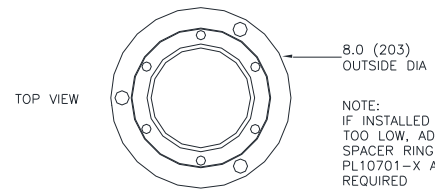
- LOW PROFILE SURFACE MOUNT PRL-97004-xC-x-LSM
- LSM SURFACE BASE
- EXPOSED CABLE OR RIGID CONDUIT ENTRY



DIMENSIONS: INCHES (mm)
DRAWING SCALE: FULL
REV DATE: 04/04/23

VERTIPORT PERIMETER LIGHT V02

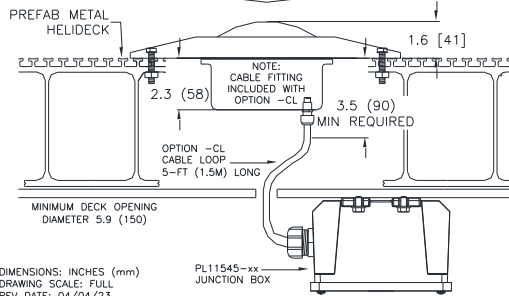
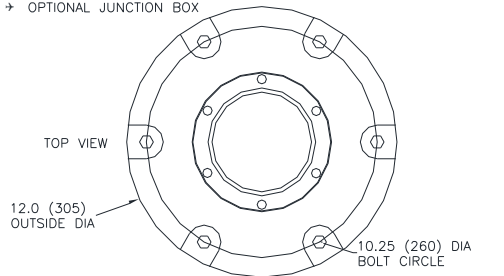
- POINT ROLLOVER LIGHT PRL-97004-xC-x-PLS
- IN-PAVEMENT LIGHT
- PLS MOUNTED
- RIGID CONDUIT ENTRY



DIMENSIONS: INCHES (mm)
DRAWING SCALE: FULL
REV DATE: 04/04/23

VERTIPORT PERIMETER LIGHT V03

- POINT ROLLOVER LIGHT PRL-97704-xC-x-CL
- SURFACE MOUNTED
- EXPOSED CABLE
- OPTIONAL JUNCTION BOX



DIMENSIONS: INCHES (mm)
DRAWING SCALE: FULL
REV DATE: 04/04/23

V04

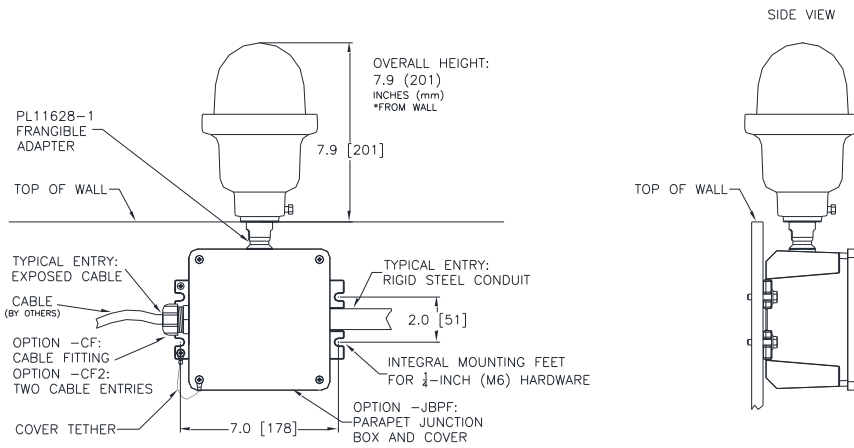
INTENTIONALLY LEFT BLANK

DIMENSIONS: INCHES (mm)
DRAWING SCALE: FULL
REV DATE: 04/04/23

VERTIPORT PERIMETER LIGHT

V05

- STANDARD FAA ELEVATED LIGHT PEL-57005-xC-x-JBP
- ELEVATED FATO
- FRANGIBLE MOUNT
- PARAPET WALL MOUNTED
- EXPOSED CABLE OR RIGID CONDUIT ENTRY

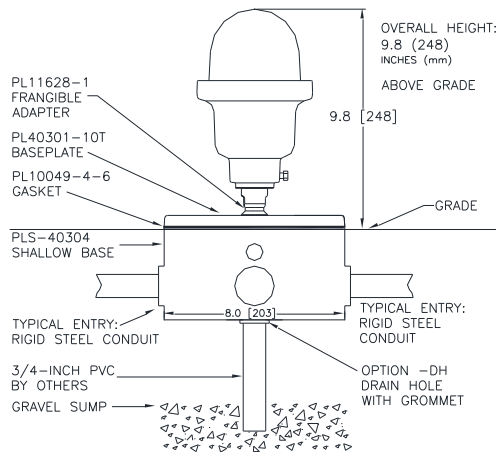


DIMENSIONS: INCHES (mm)
DRAWING SCALE: FULL
REV DATE: 04/04/23

VERTIPORT PERIMETER LIGHT V07

V07

- LOW PROFILE ELEVATED LIGHT PEL-57005-xx-x-PLS
- FRANGIBLE MOUNT PEL-22001-xx-x-PLS
- PLS SHALLOW BASE
- RIGID CONDUIT ENTRY

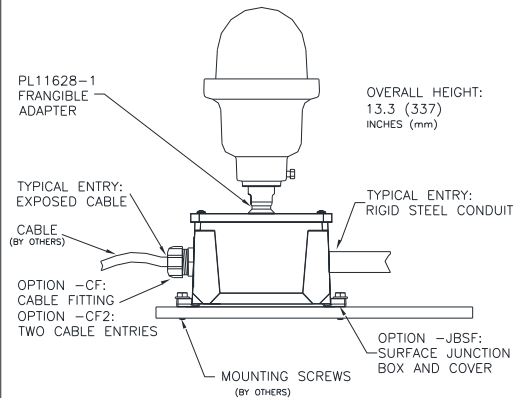


DIMENSIONS: INCHES (mm)
DRAWING SCALE: FULL
REV DATE: 04/04/23

VERTIPORT PERIMETER LIGHT V08

V08

- LOW PROFILE ELEVATED LIGHT PEL-57005-xC-x-JBS
- FRANGIBLE MOUNT
- SURFACE MOUNTED
- EXPOSED CABLE OR RIGID CONDUIT ENTRY



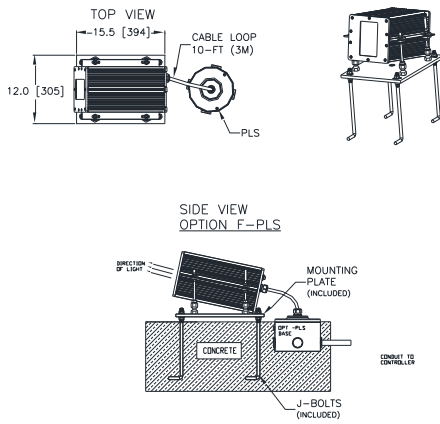
DIMENSIONS: INCHES (mm)
DRAWING SCALE: FULL
REV DATE: 04/03/23



VERTIPOINT SLOPE GUIDANCE V09

- HELICOPTER APPROACH PATH INDICATOR (HAPI)
- VISUAL GLIDESLOPE INDICATORS (VGSII)
- FRANGIBLE MOUNT
- NO MOVING PARTS
- LED BASED TECHNOLOGY

HAPI-89001-x-F-PLS

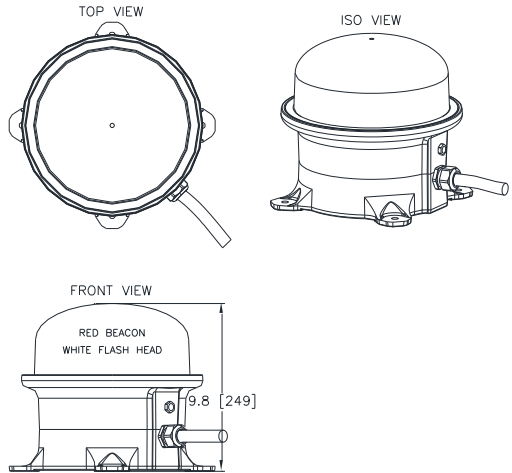


DIMENSIONS: INCHES (mm)
DRAWING SCALE: 1/4"
REV DATE: 04/04/23

VERTIPOINT BEACON V10

- VERTIPOINT IDENTIFICATION BEACON
- 3-COLOR 36 FLASH PER MINUTE
- MORSE CODE AVAILABLE

PHB-37002-WGY-x-H
PHB-37002-x-x-M



DIMENSIONS: INCHES (mm)
DRAWING SCALE: 1/4"
REV DATE: 04/04/23

V11

INTENTIONALLY LEFT BLANK

DIMENSIONS: INCHES (mm)
DRAWING SCALE: FULL
REV DATE: 04/04/23

V12

INTENTIONALLY LEFT BLANK

DIMENSIONS: INCHES (mm)
DRAWING SCALE: FULL
REV DATE: 04/04/23

