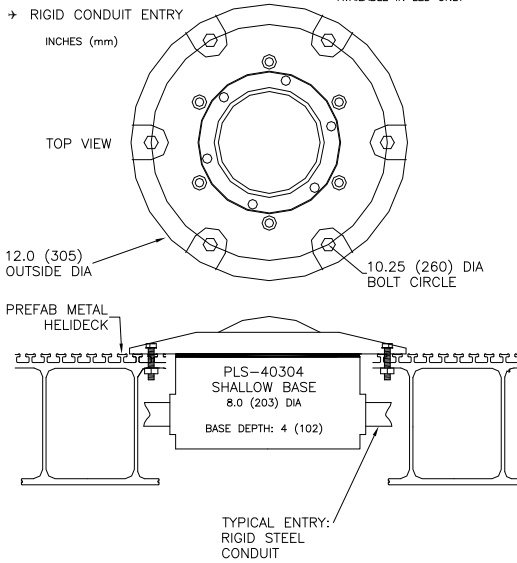


### HELIDECK PERIMETER LIGHT H13

- POINT ROLLOVER LIGHT
- SURFACE MOUNTED
- PLS MOUNTED
- RIGID CONDUIT ENTRY

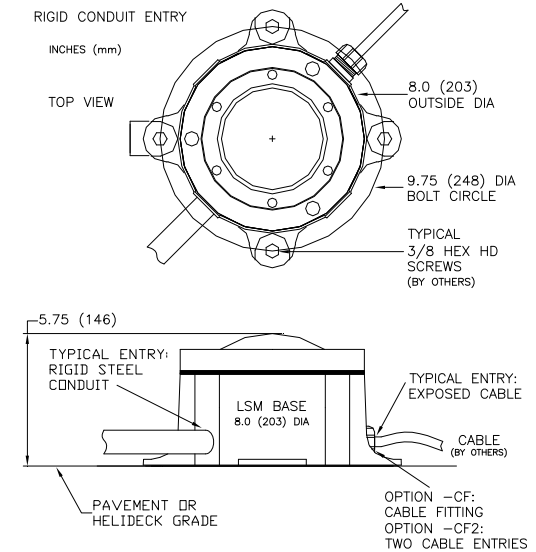
LED:  
PRL-97702-XF-X-PLS-MT  
PRL-97702-XF-X-AX-PLS  
PRL-97702-XF-X-EX-PLS  
\*AVAILABLE IN LED ONLY



### HELIDECK PERIMETER LIGHT H14

- POINT HELIDECK LIGHT
- LOW PROFILE SURFACE MOUNT
- LSM SURFACE BASE
- EXPOSED CABLE OR RIGID CONDUIT ENTRY

LED:  
PRL-97002-XF-X-LSM-MT  
PRL-97002-XF-X-AX-LSM  
PRL-97002-XF-X-EX-LSM

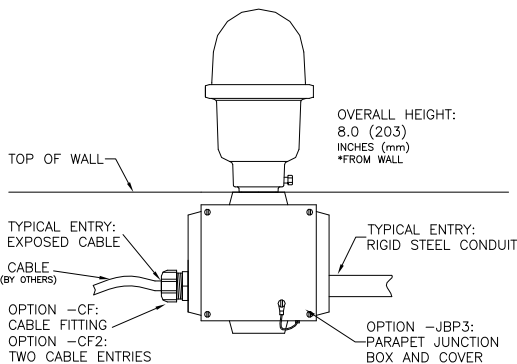


### HELIPORT PERIMETER LIGHT

- LOW PROFILE PEL
- RIGID MOUNT
- PARAPET WALL MOUNTED
- EXPOSED CABLE OR RIGID CONDUIT ENTRY

INCANDESCENT:  
PEL-50000-X-XXA-JBP3

LED:  
PEL-57003-X-XX-JBP3

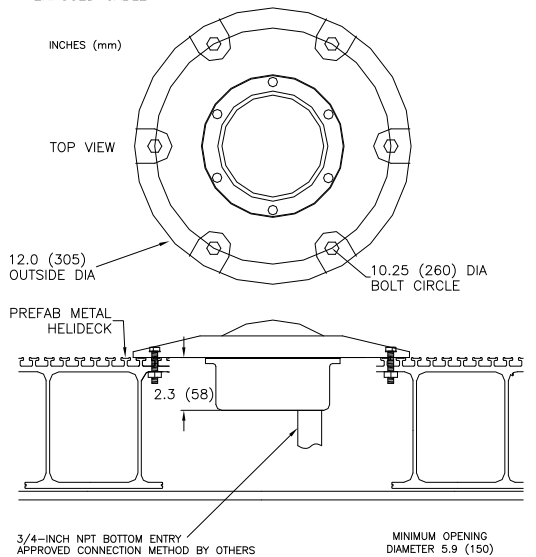


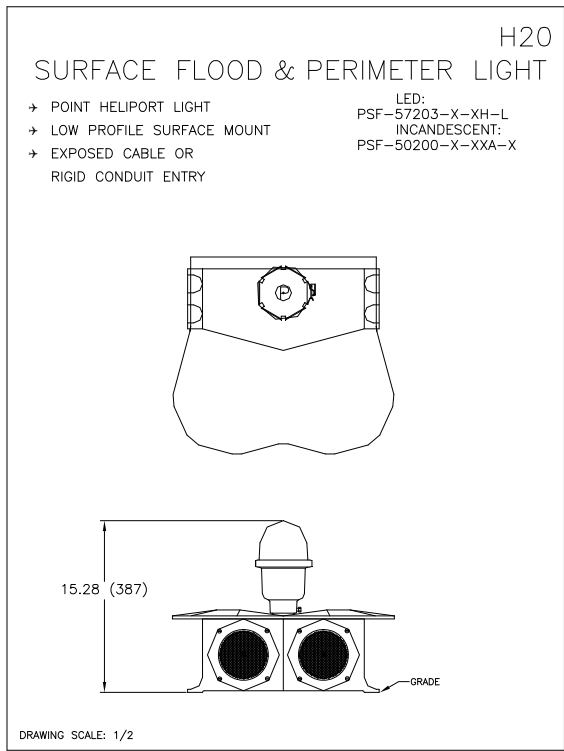
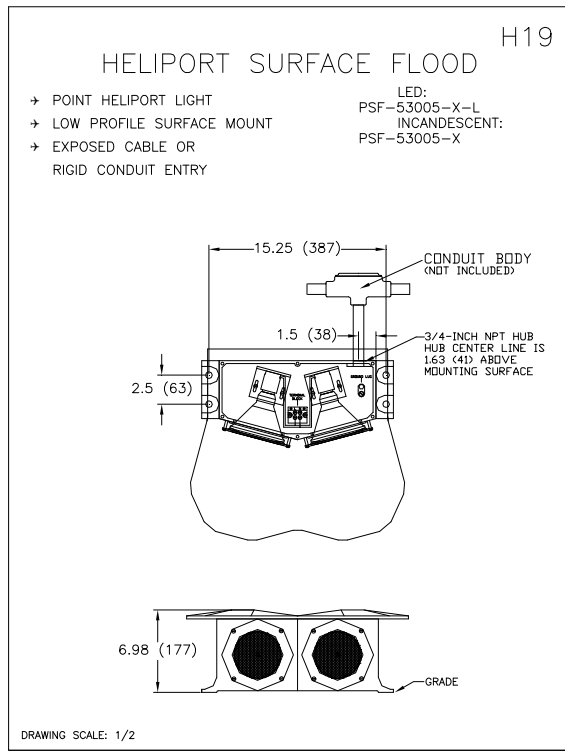
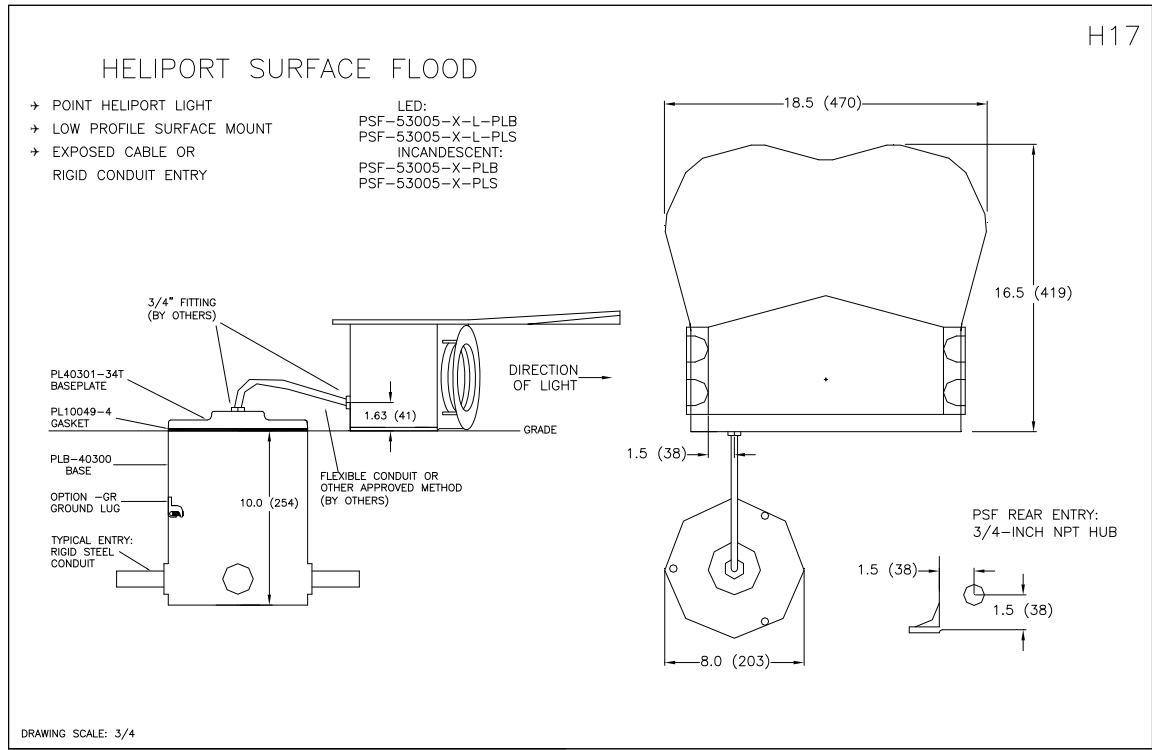
### HELIDECK PERIMETER LIGHT H16

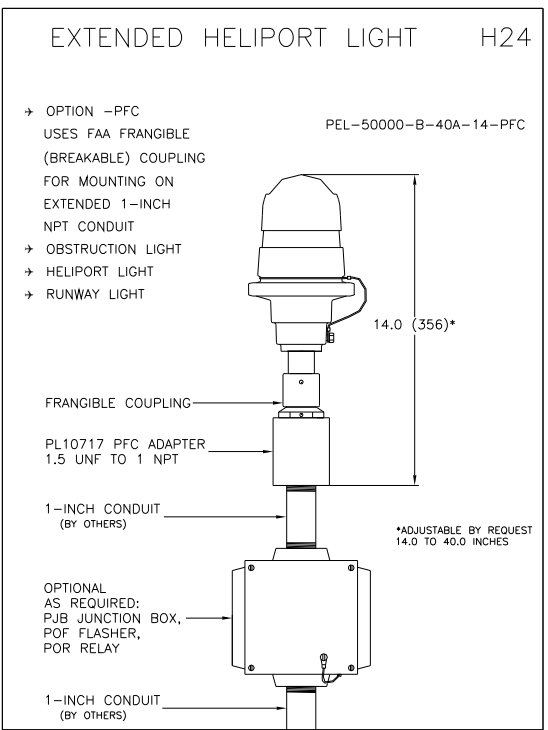
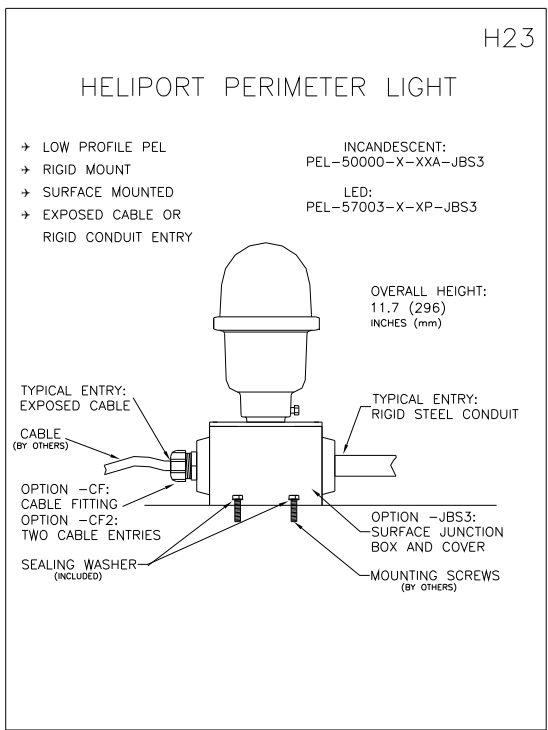
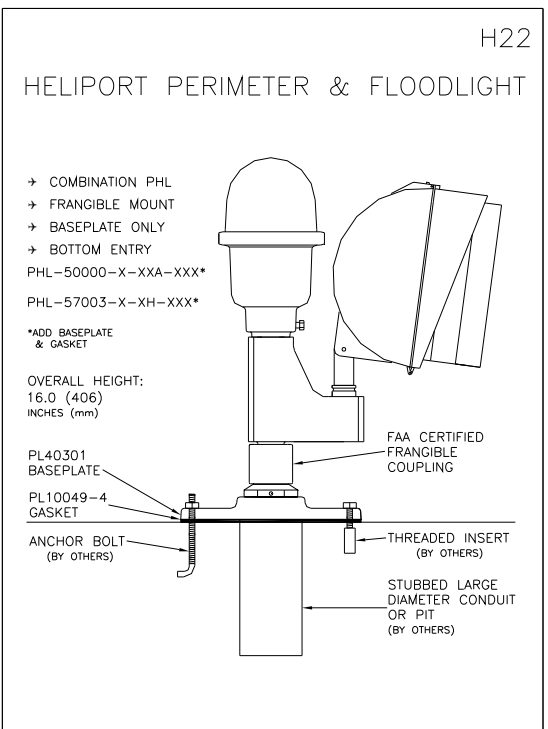
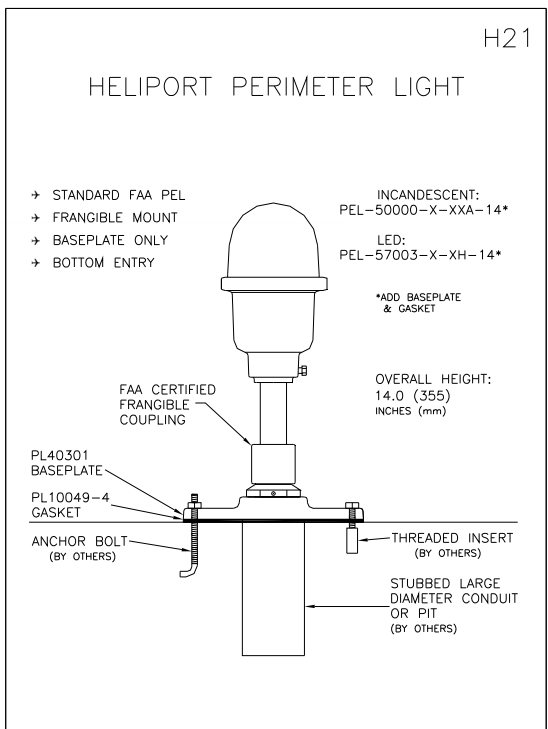
- POINT ROLLOVER LIGHT
- SURFACE MOUNTED
- EXPOSED CABLE

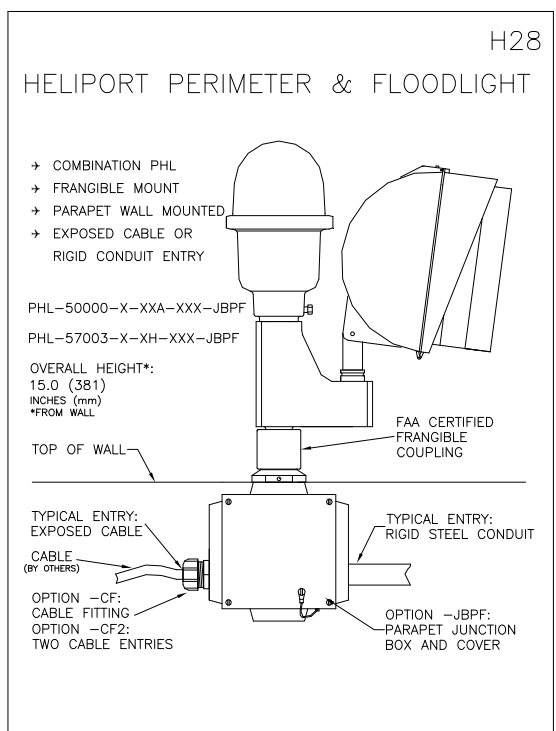
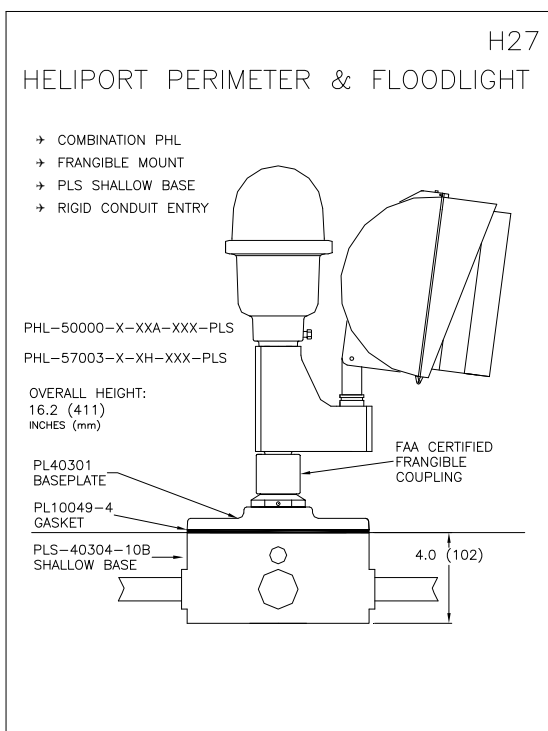
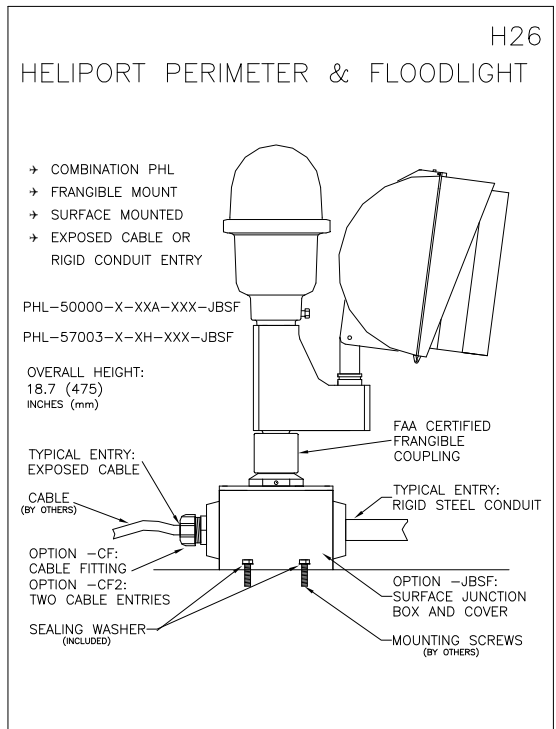
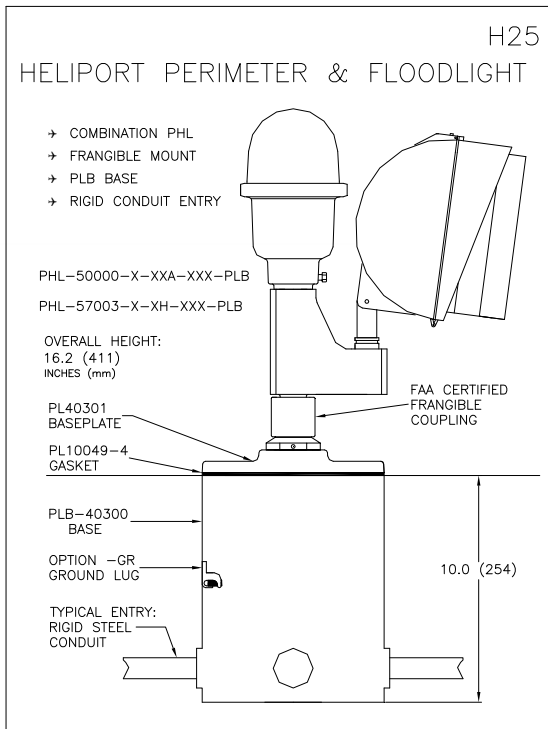
LED:  
PRL-97702-XF-X-EX

\*AVAILABLE IN LED ONLY









### HELIPORT FLOODLIGHT H29

- LOW MOUNT
- FRANGIBLE MOUNT
- PLB BASE
- RIGID CONDUIT ENTRY

PHF-53002-XXXQX-PLB

OVERALL HEIGHT:  
19.5 (495)  
INCHES (mm)

PL40301  
BASEPLATE

PL10049-4  
GASKET

PLB-40300  
BASE

OPTION -GR  
GROUND LUG

TYPICAL ENTRY:  
RIGID STEEL  
CONDUIT

FAA CERTIFIED  
FRANGIBLE  
COUPLING

10.0 (254)

### HELIPORT FLOODLIGHT H30

- LOW MOUNT
- FRANGIBLE MOUNT
- SURFACE MOUNTED
- EXPOSED CABLE OR RIGID CONDUIT ENTRY

PHF-53002-XXXQX-JBSF

OVERALL HEIGHT:  
22.1 (561)  
INCHES (mm)

FAA CERTIFIED  
FRANGIBLE  
COUPLING

TYPICAL ENTRY:  
EXPOSED CABLE

CABLE  
(BY OTHERS)

TYPICAL ENTRY:  
RIGID STEEL CONDUIT

OPTION -CF:  
CABLE FITTING

OPTION -CF2:  
TWO CABLE ENTRIES

SEALING WASHER  
(INCLUDED)

OPTION -JBSF:  
SURFACE JUNCTION  
BOX AND COVER

MOUNTING SCREWS  
(BY OTHERS)

### HELIPORT FLOODLIGHT H31

- LOW MOUNT
- FRANGIBLE MOUNT
- BASEPLATE ONLY
- BOTTOM ENTRY

PHF-53002-XXXQX\*

\*ADD BASEPLATE  
& GASKET

OVERALL HEIGHT:  
19.4 (493)  
INCHES (mm)

PL40301  
BASEPLATE

PL10049-4  
GASKET

ANCHOR BOLT  
(BY OTHERS)

FAA CERTIFIED  
FRANGIBLE  
COUPLING

THREADED INSERT  
(BY OTHERS)

STUBBED LARGE  
DIAMETER CONDUIT  
OR PIT  
(BY OTHERS)

### HELIPORT FLOODLIGHT H32

- LOW MOUNT
- FRANGIBLE MOUNT
- PARAPET WALL MOUNTED
- EXPOSED CABLE OR RIGID CONDUIT ENTRY

PHF-53002-XXXQX-JBPF

OVERALL HEIGHT\*:  
18.4 (467)  
INCHES (mm)  
\*FROM WALL

FAA CERTIFIED  
FRANGIBLE  
COUPLING

TOP OF WALL

TYPICAL ENTRY:  
EXPOSED CABLE

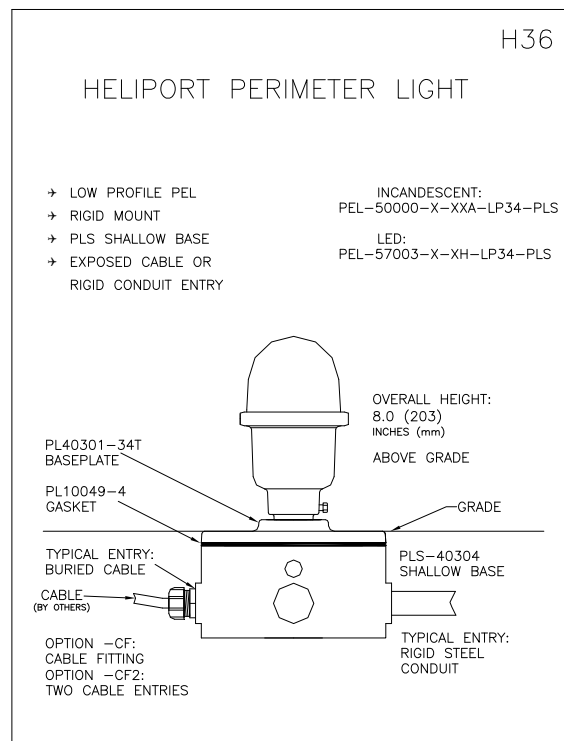
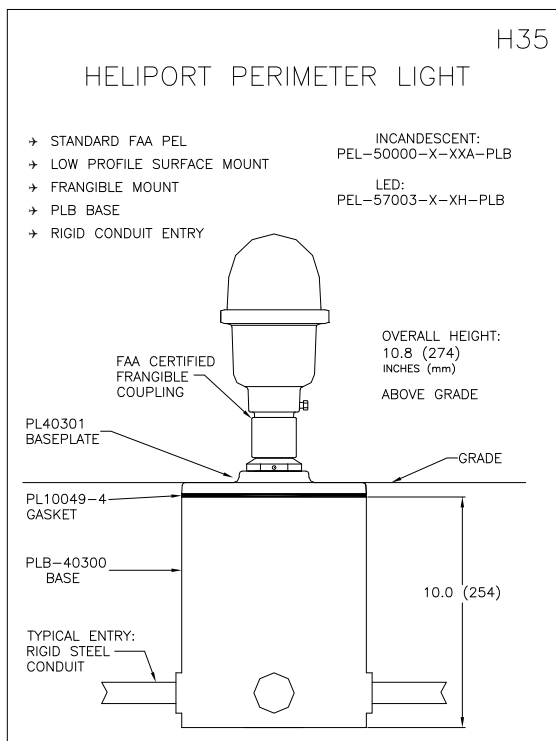
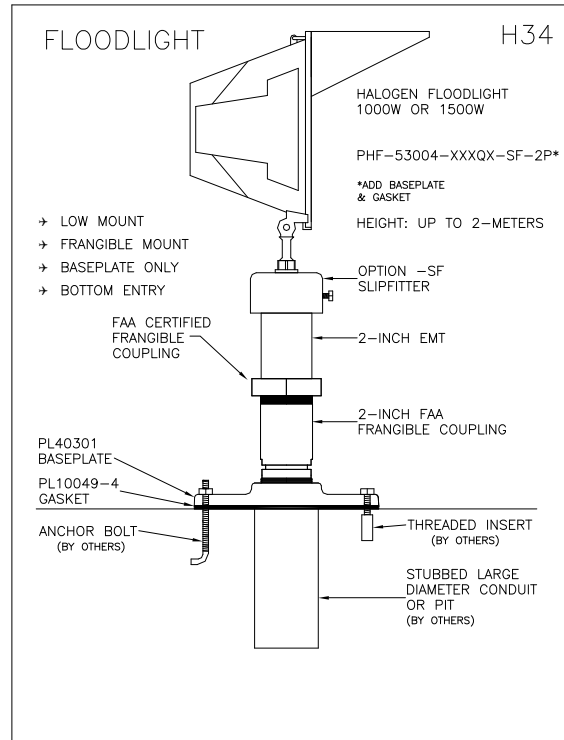
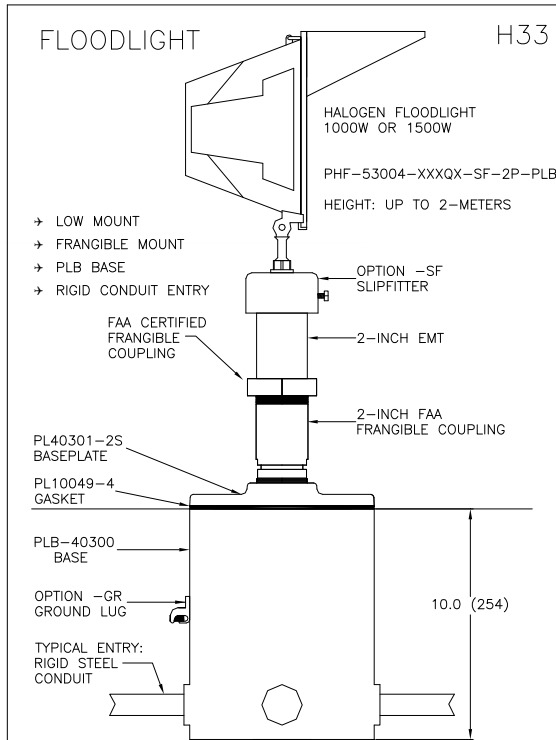
CABLE  
(BY OTHERS)

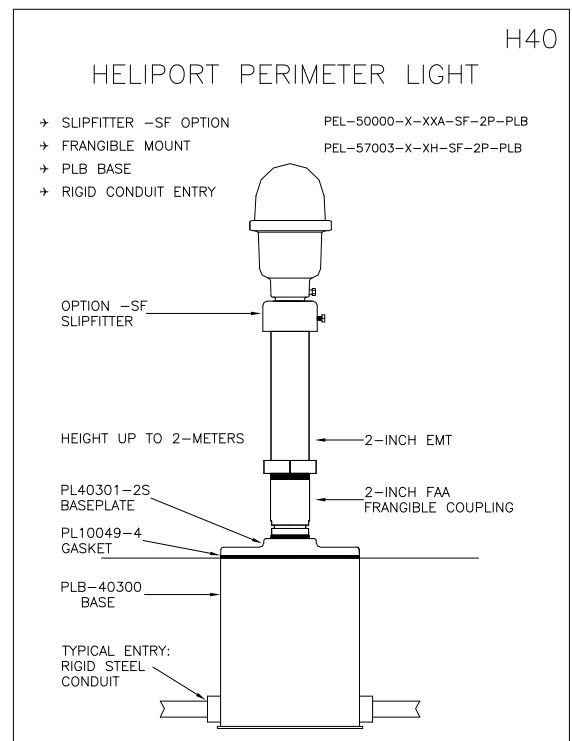
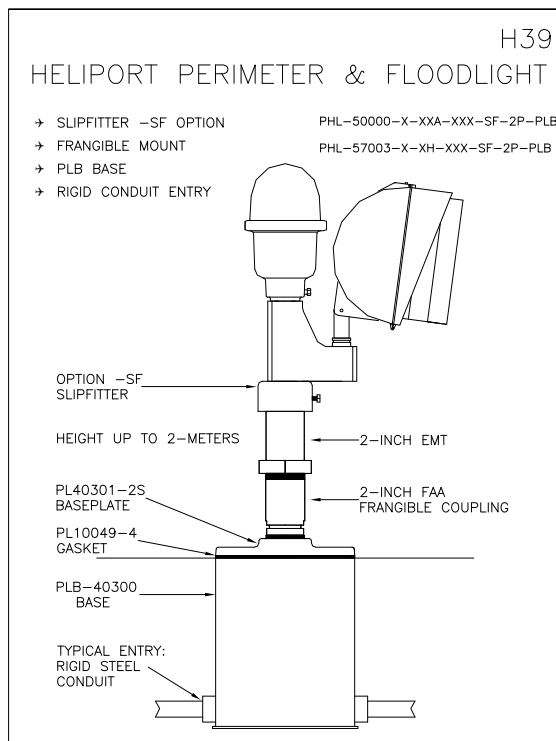
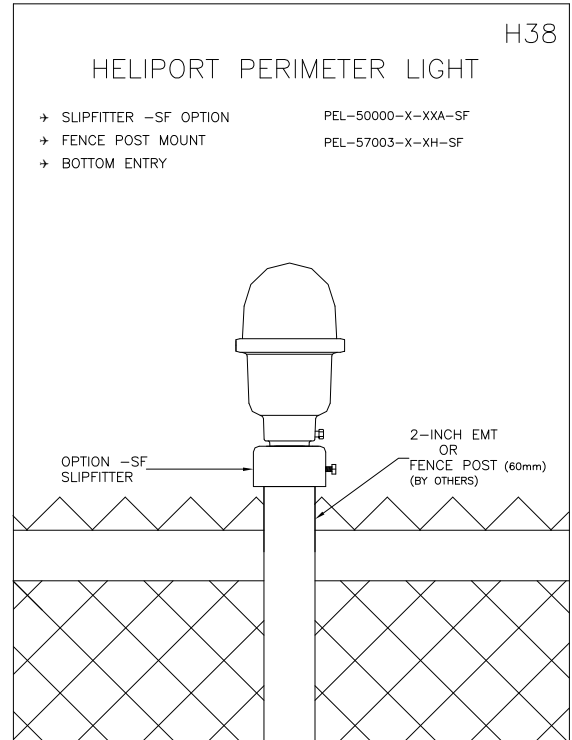
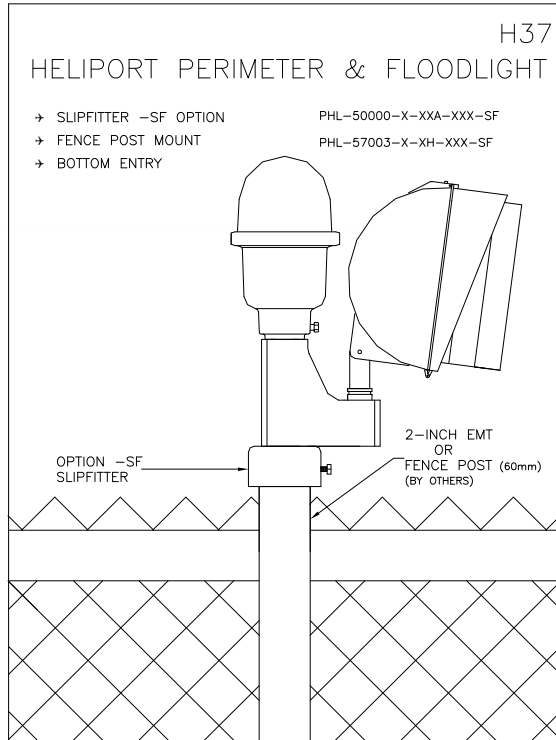
TYPICAL ENTRY:  
RIGID STEEL CONDUIT

OPTION -CF:  
CABLE FITTING

OPTION -CF2:  
TWO CABLE ENTRIES

OPTION -JBPF:  
PARAPET JUNCTION  
BOX AND COVER





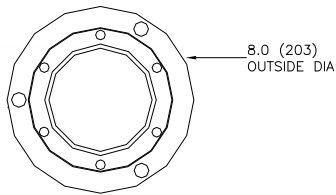
#### HELIPORT PERIMETER LIGHT H41

- POINT ROLLOVER LIGHT
- INSET LIGHT
- PIT MOUNTED

LED:  
PRL-97002-XH-X-PIT

INCHES (mm)

TOP VIEW



PAVEMENT SURFACE

PL10701-1  
SPACER RING

THREADED INSERT

0.69 (18)

PL10049-4  
GASKET  
(INCLUDED)

NOTE:  
PLYWOOD COVER  
INCLUDED

NOTE: NOT A RECOMMENDED INSTALLATION METHOD

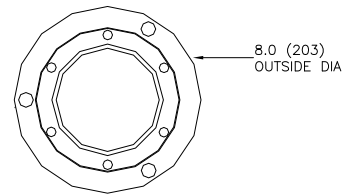
#### HELIPORT PERIMETER LIGHT H42

- POINT ROLLOVER LIGHT
- INSET LIGHT
- PIT MOUNTED

INCANDESCENT:  
PRL-90000-2-X-XXA-PIT

INCHES (mm)

TOP VIEW



PAVEMENT SURFACE

PL10701-1  
METAL RING

THREADED INSERT

0.69 (18)

PL10049-4  
GASKET  
(INCLUDED)

NOTE:  
PLYWOOD COVER  
INCLUDED

NOTE: NOT A RECOMMENDED INSTALLATION METHOD

#### HELIPORT PERIMETER LIGHT H43

- POINT ROLLOVER LIGHT
- SURFACE MOUNT
- PIT MOUNTED

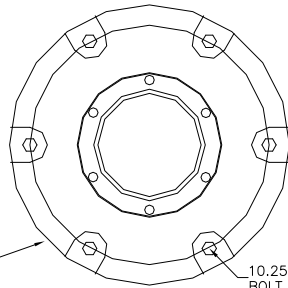
LED:  
PRL-97702-XH-X-PIT

INCHES (mm)

TOP VIEW

12.0 (305)  
OUTSIDE DIA

10.25 (260) DIA  
BOLT CIRCLE



THREADED INSERT

1.75 (44)

PL10049-5  
GASKET  
(INCLUDED)

NOTE: NOT A RECOMMENDED INSTALLATION METHOD

#### HELIPORT PERIMETER LIGHT H44

- POINT ROLLOVER LIGHT
- SURFACE MOUNT
- PIT MOUNTED

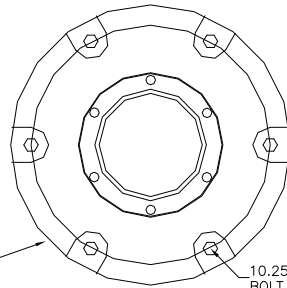
INCANDESCENT:  
PRL-97702-2-X-XXA-PIT

INCHES (mm)

TOP VIEW

12.0 (305)  
OUTSIDE DIA

10.25 (260) DIA  
BOLT CIRCLE

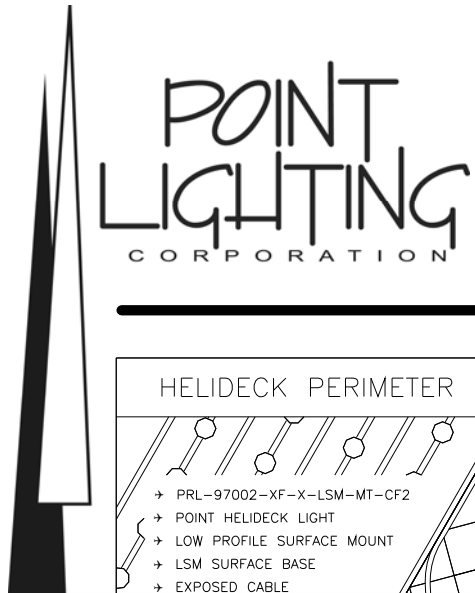


THREADED INSERT

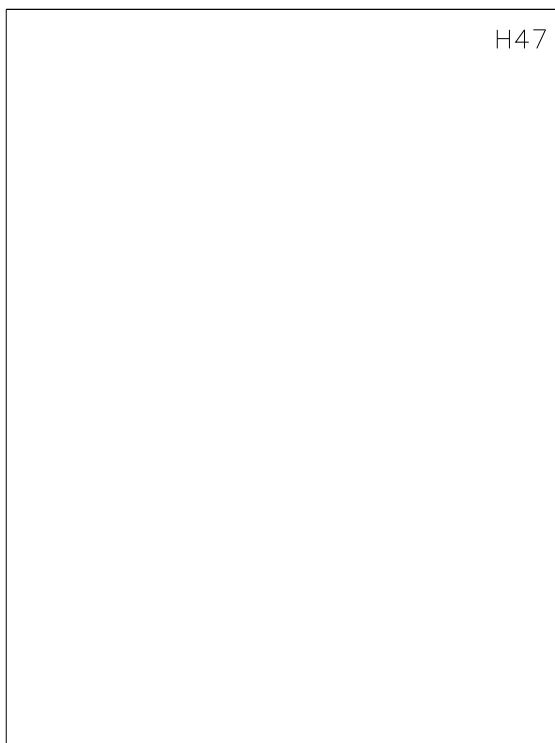
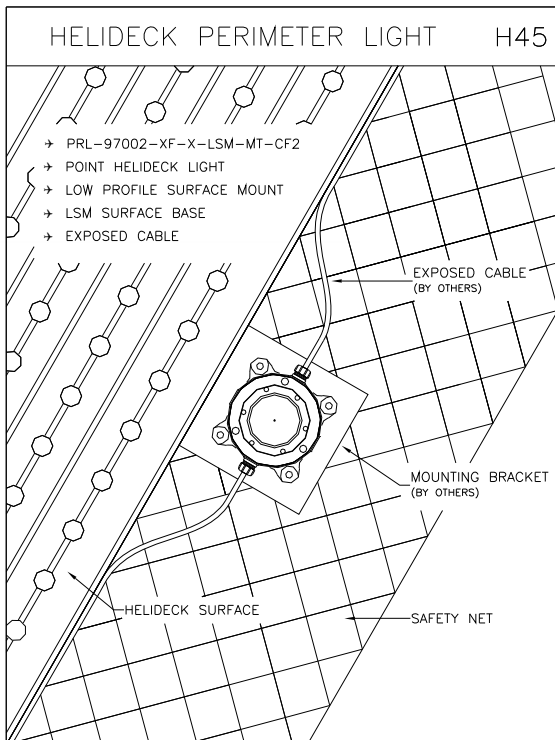
1.75 (44)

PL10049-5  
GASKET  
(INCLUDED)

NOTE: NOT A RECOMMENDED INSTALLATION METHOD



# POINT LIGHTING SPECIFICATION GUIDANCE PRODUCT MOUNTING DETAILS

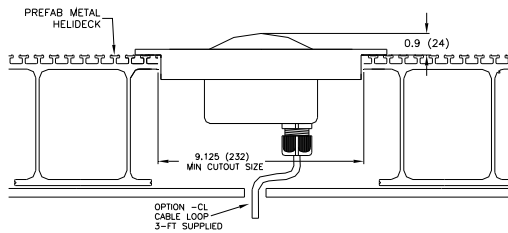
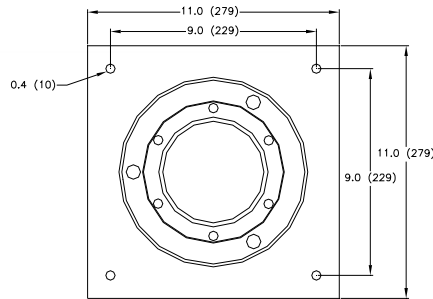


### HELIDECK PERIMETER LIGHT H49

- POINT HELIDECK LIGHT
- SURFACE MOUNTED
- EXPOSED CABLE
- SAFE AREA

LED:  
PRL-97002-XF-X-MT-SR-CL\*  
\*AVAILABLE IN LED ONLY

INCHES (mm)

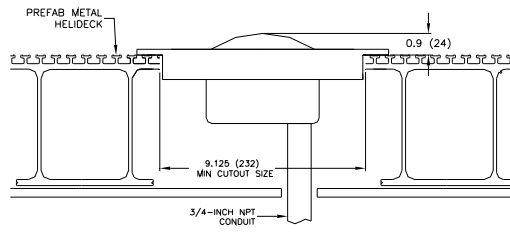
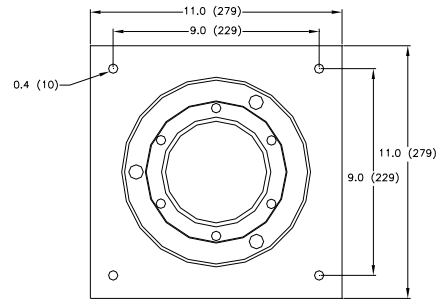


### HELIDECK PERIMETER LIGHT H50

- POINT HELIDECK LIGHT
- SURFACE MOUNTED
- RIGID CONDUIT ENTRY
- HAZARDOUS LOCATIONS

LED:  
PRL-97002-XF-X-EX-SR\*  
\*AVAILABLE IN LED ONLY

INCHES (mm)

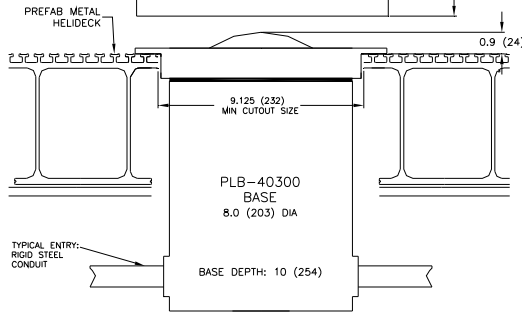
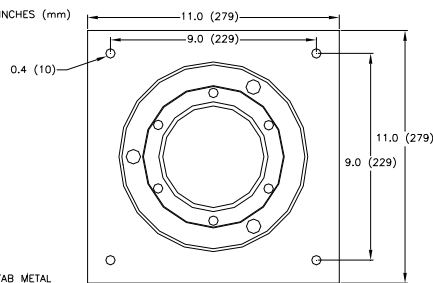


### HELIDECK PERIMETER LIGHT H51

- POINT HELIDECK LIGHT
- SURFACE MOUNTED
- RIGID CONDUIT ENTRY
- STAINLESS STEEL SEATING RING

PRL-97002-XF-X-PLB-SR  
PRL-97002-XF-X-EX-PLB-SR  
PRL-97002-XF-X-AX-PLB-SR

INCHES (mm)

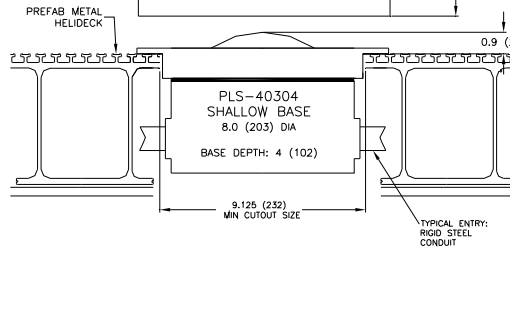
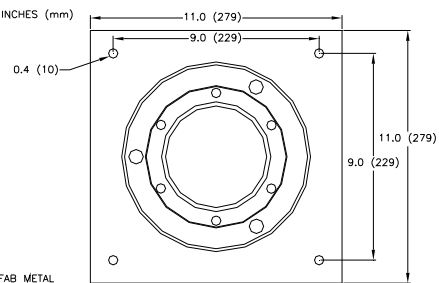


### HELIDECK PERIMETER LIGHT H52

- POINT HELIDECK LIGHT
- SURFACE MOUNTED
- RIGID CONDUIT ENTRY
- STAINLESS STEEL SEATING RING

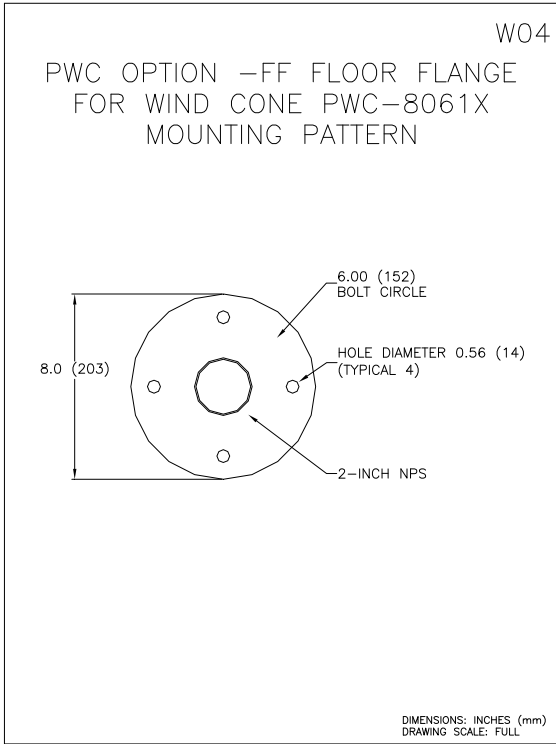
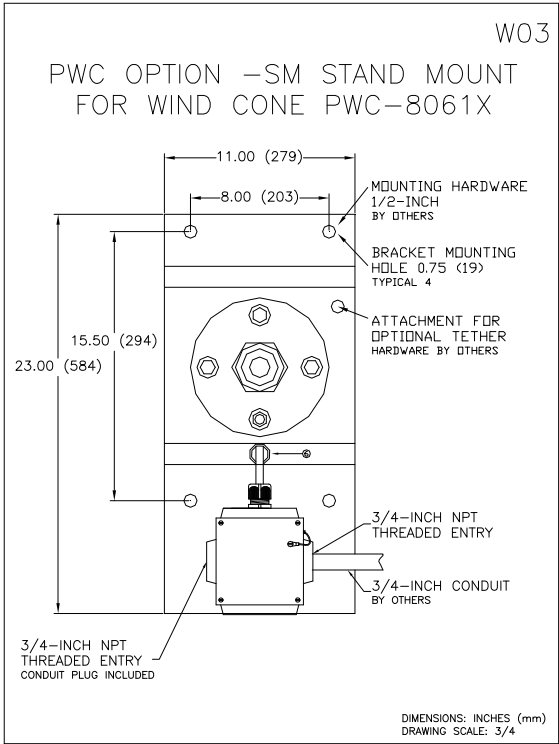
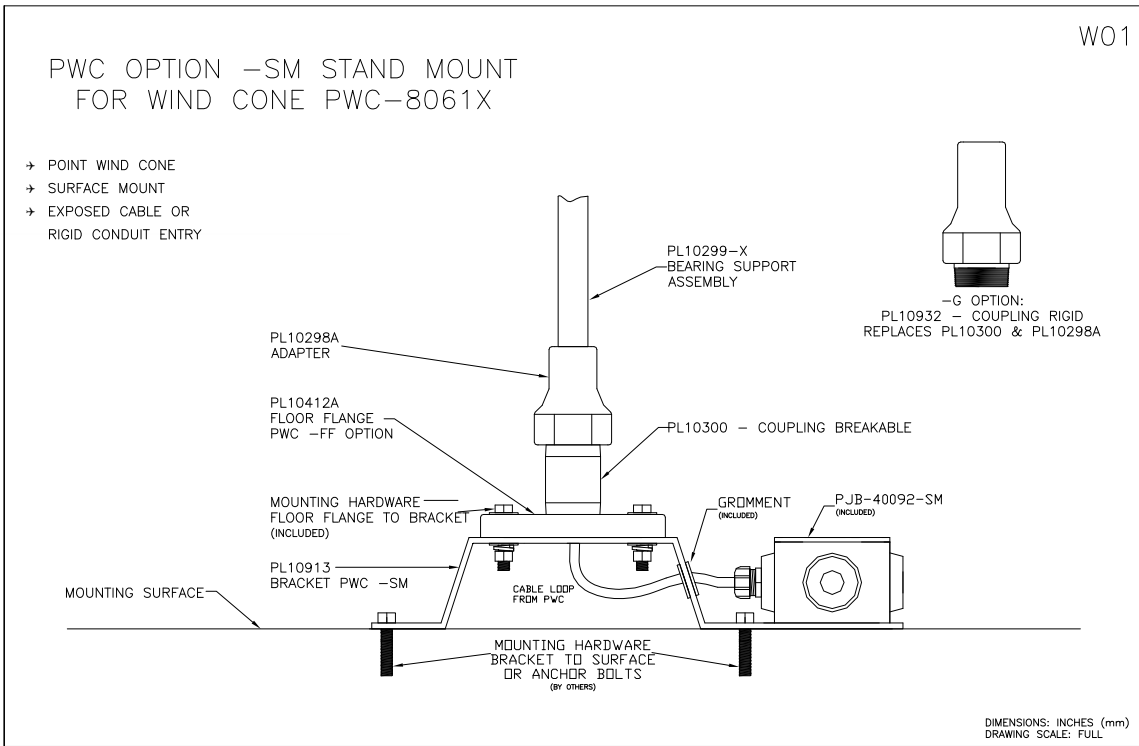
PRL-97002-XF-X-PLS-SR  
PRL-97002-XF-X-EX-PLS-SR  
PRL-97002-XF-X-AX-PLS-SR

INCHES (mm)





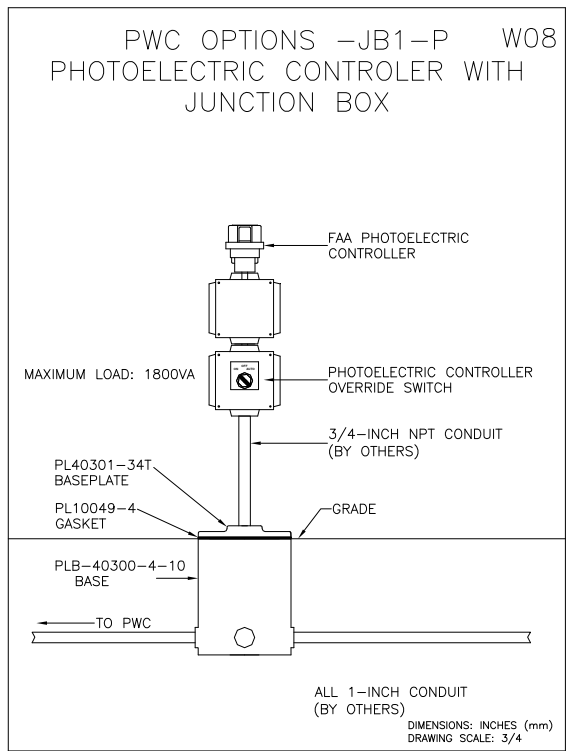
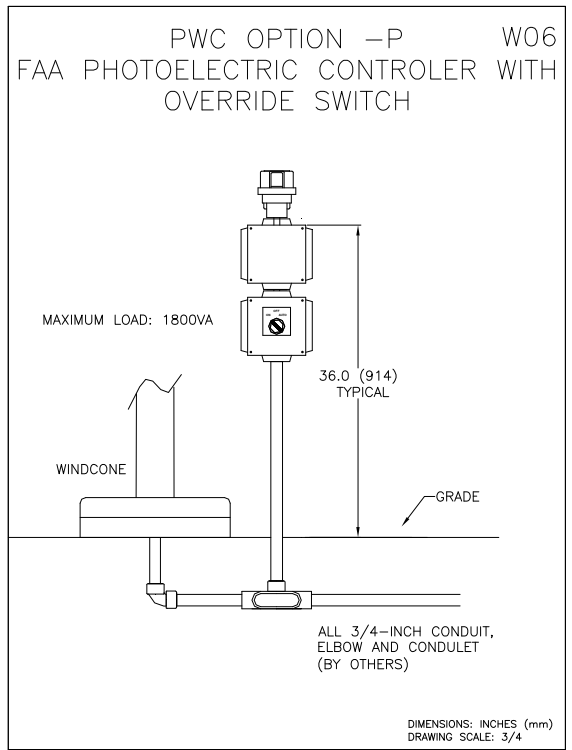
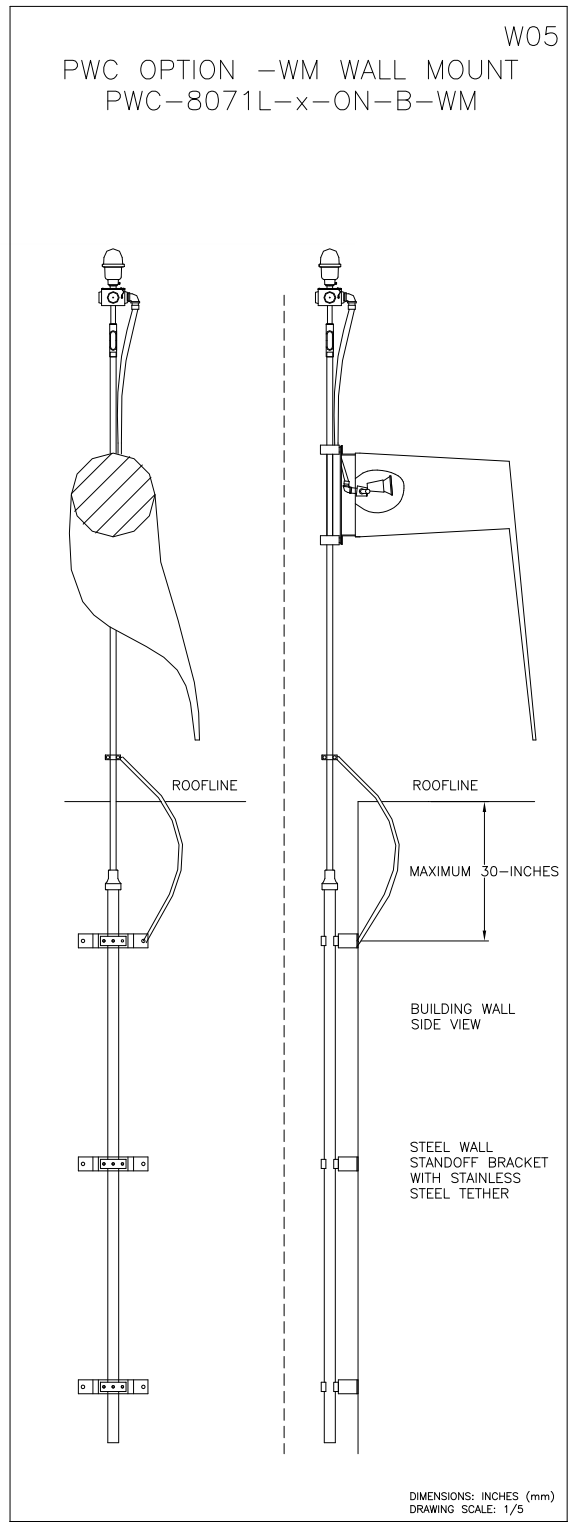
# POINT LIGHTING SPECIFICATION GUIDANCE PRODUCT MOUNTING DETAILS





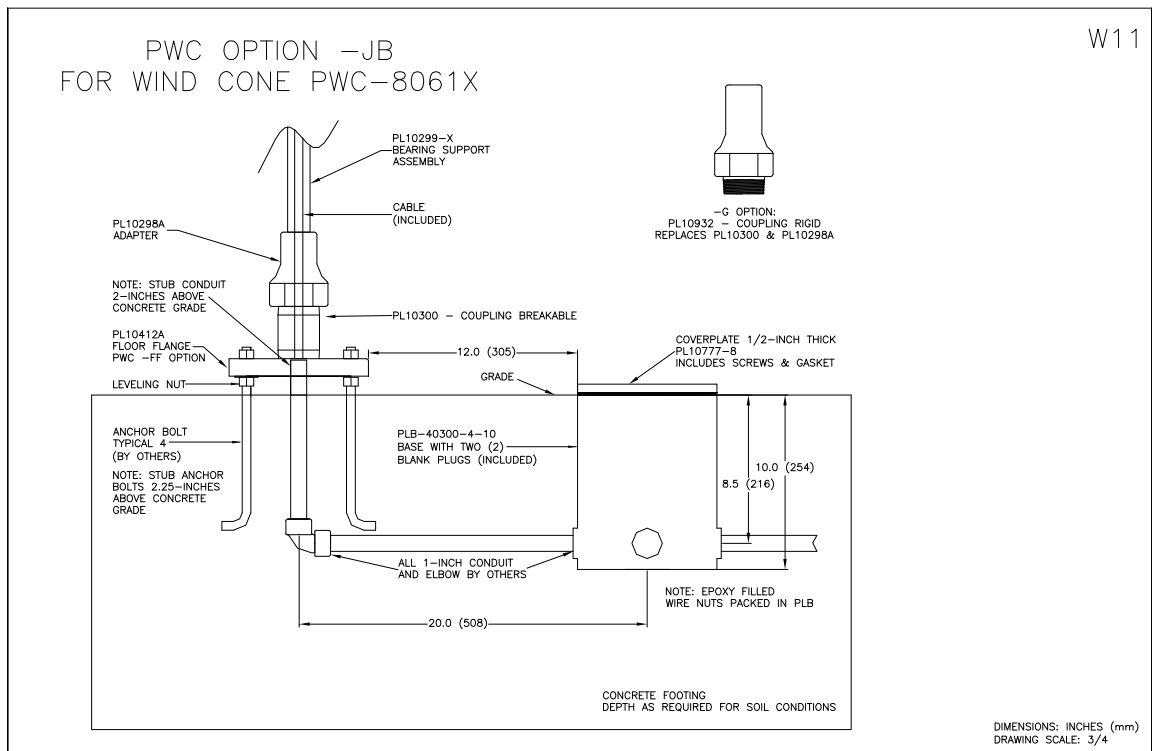
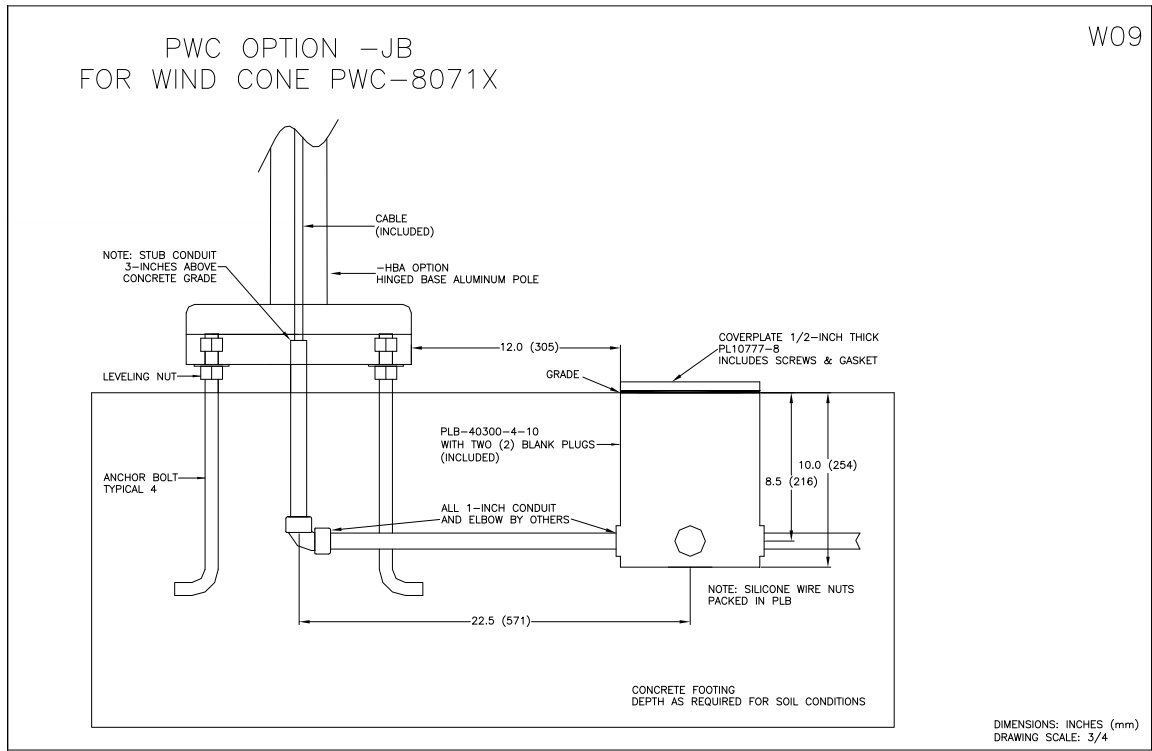
# POINT LIGHTING CORPORATION

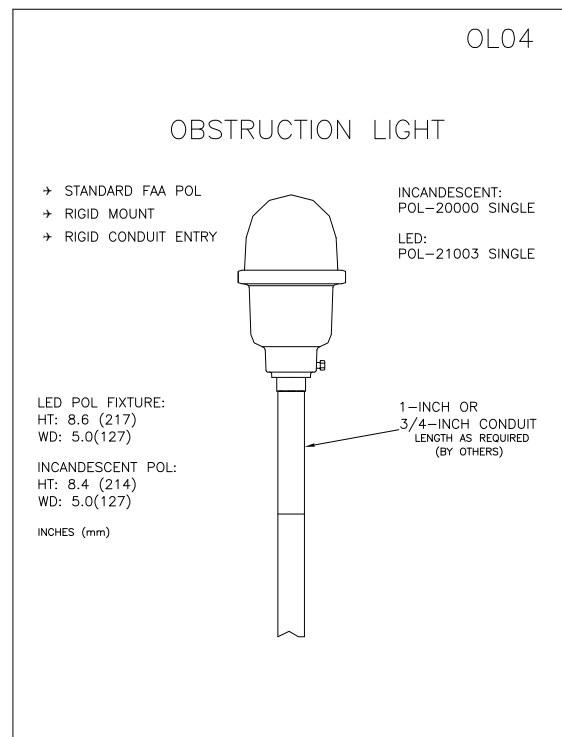
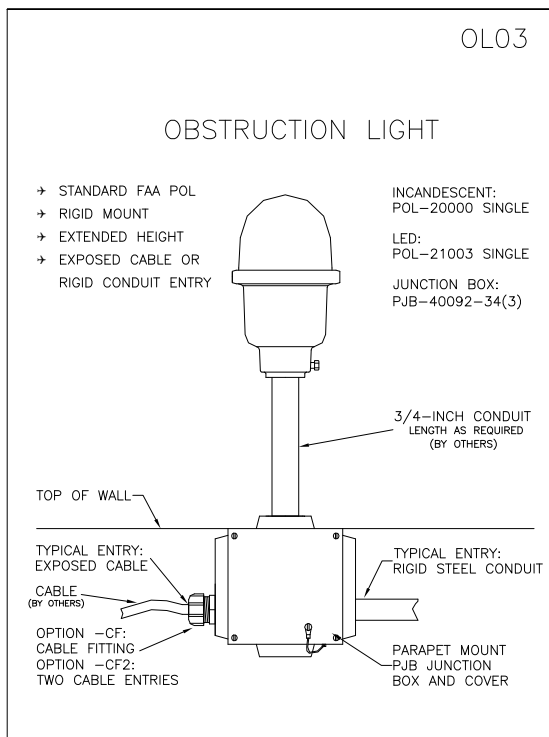
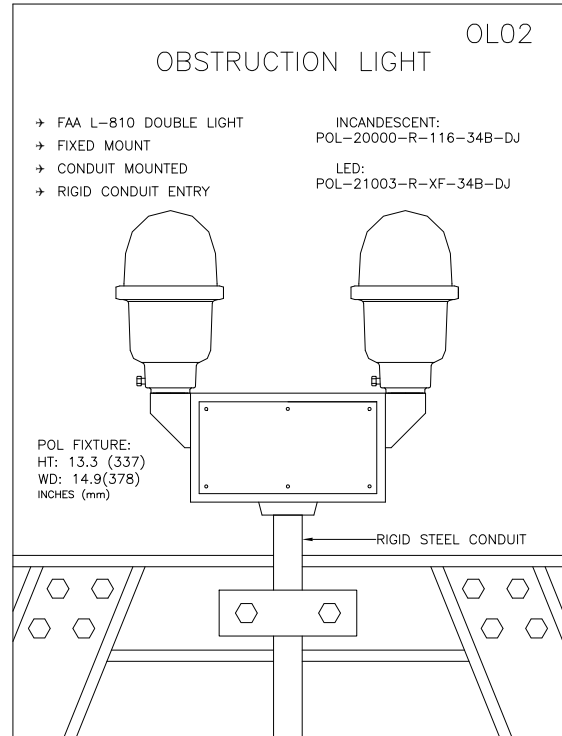
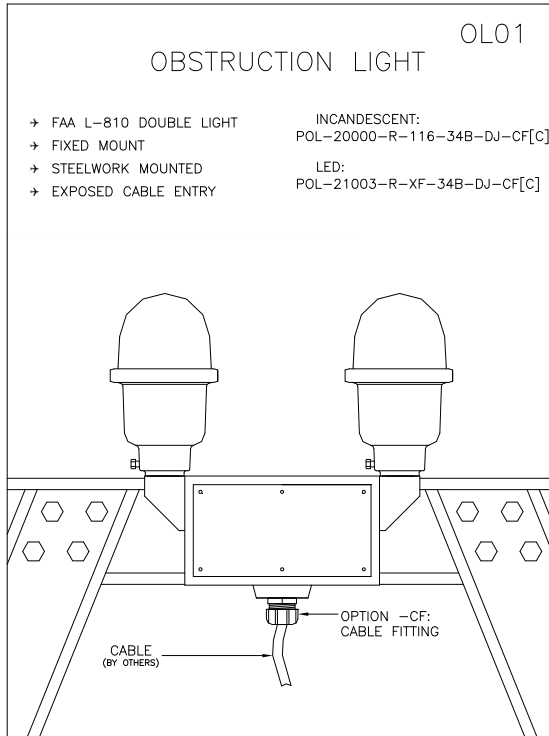
## POINT LIGHTING SPECIFICATION GUIDANCE PRODUCT MOUNTING DETAILS

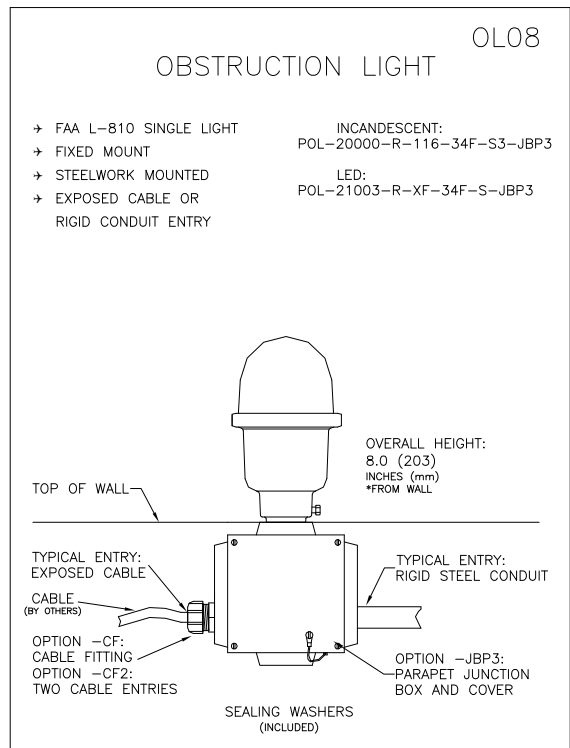
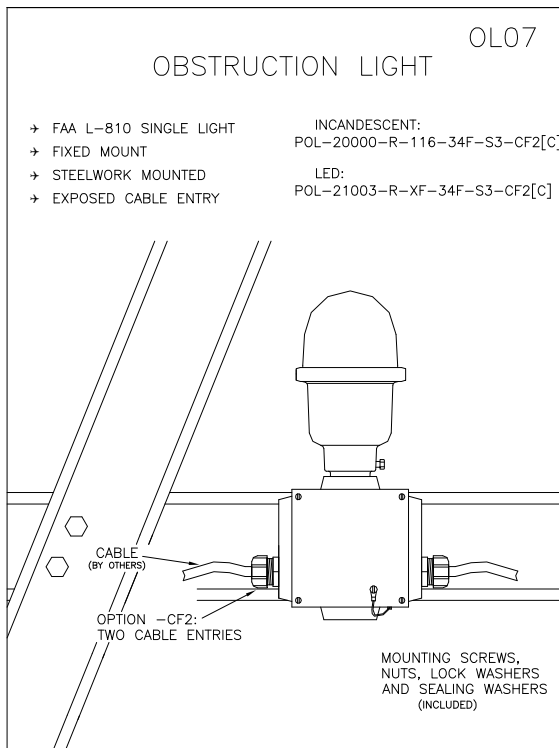
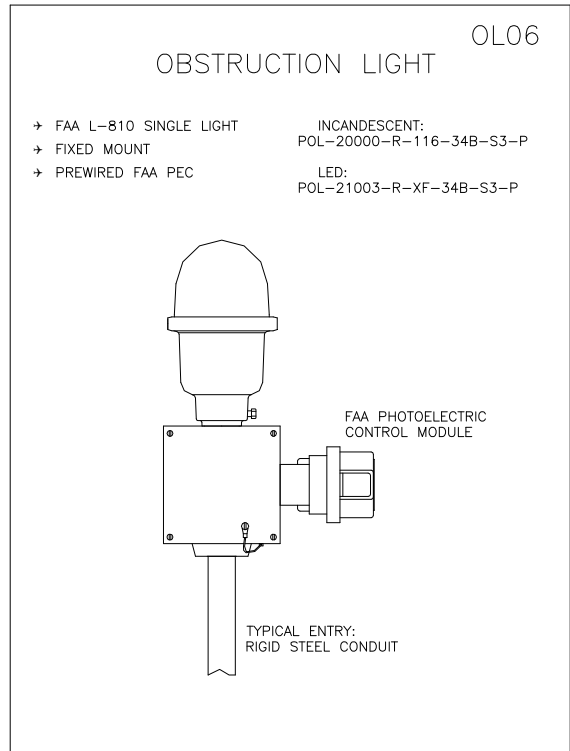
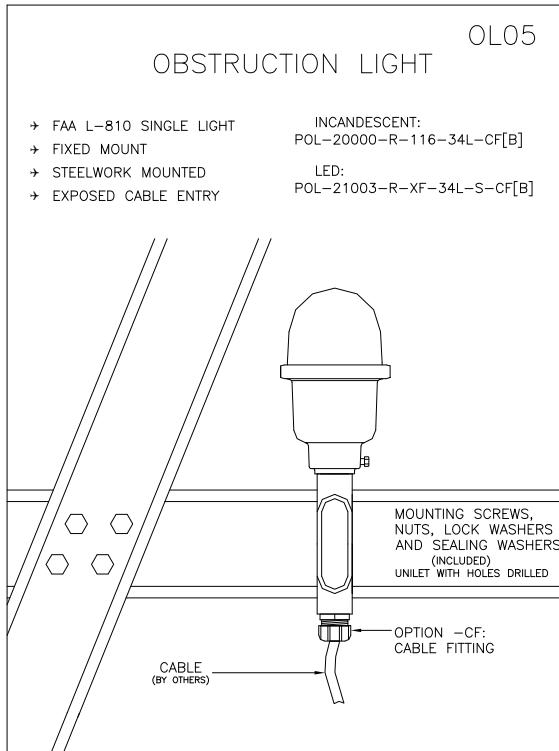




# POINT LIGHTING SPECIFICATION GUIDANCE PRODUCT MOUNTING DETAILS



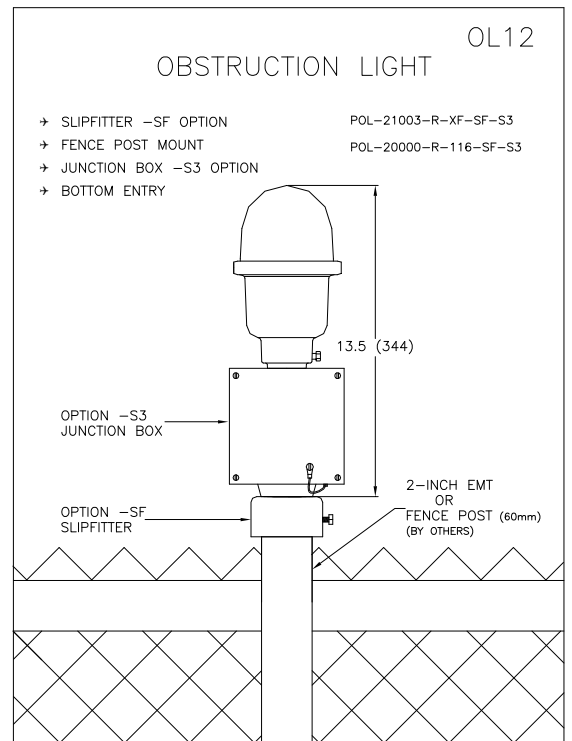
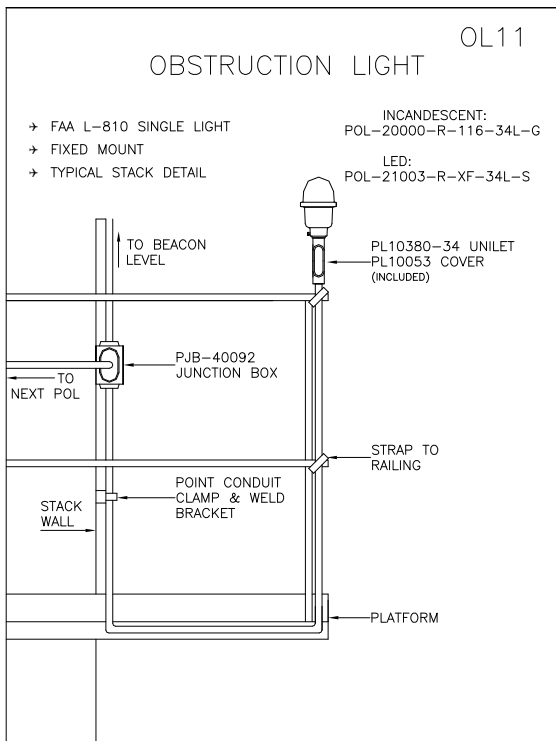
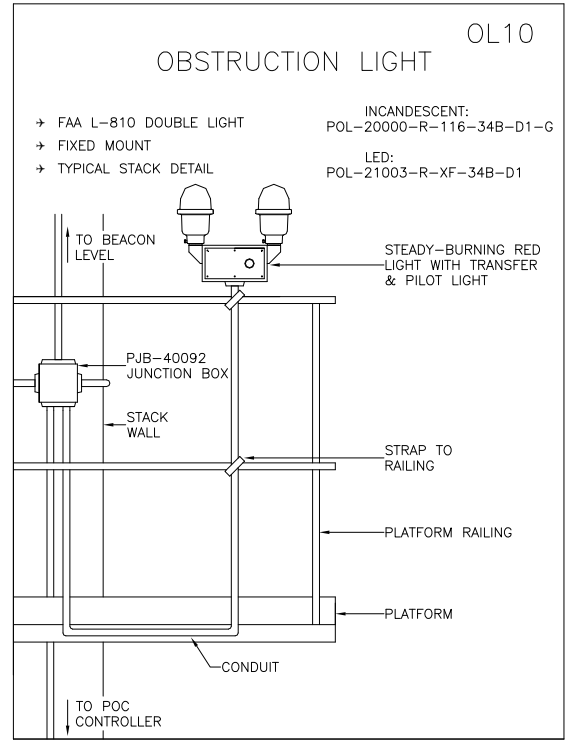
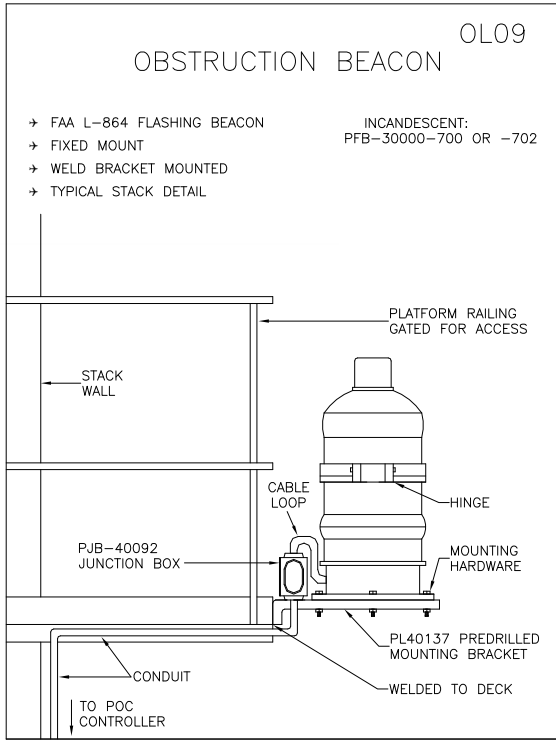


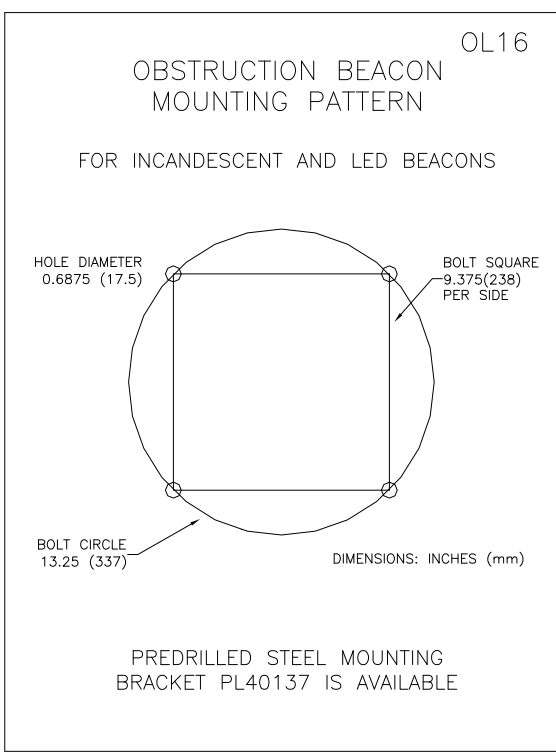
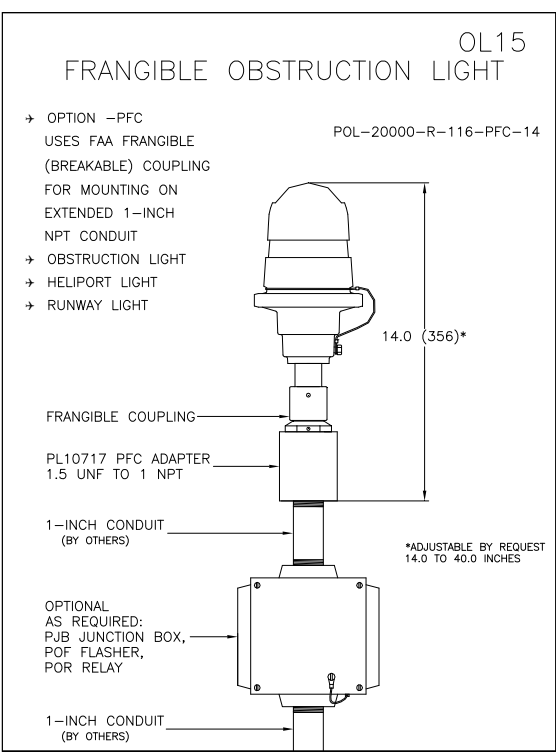
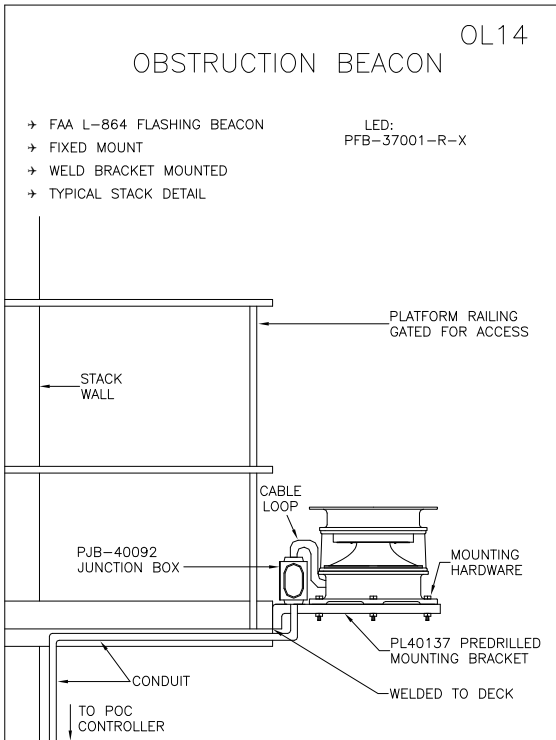
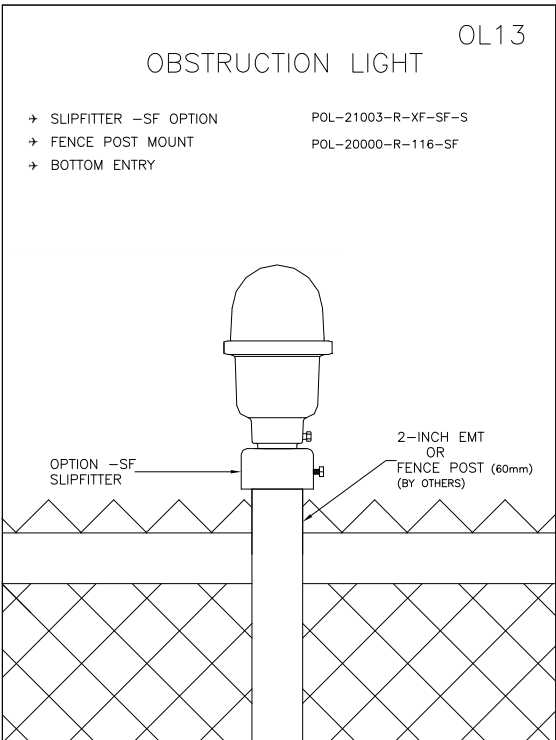


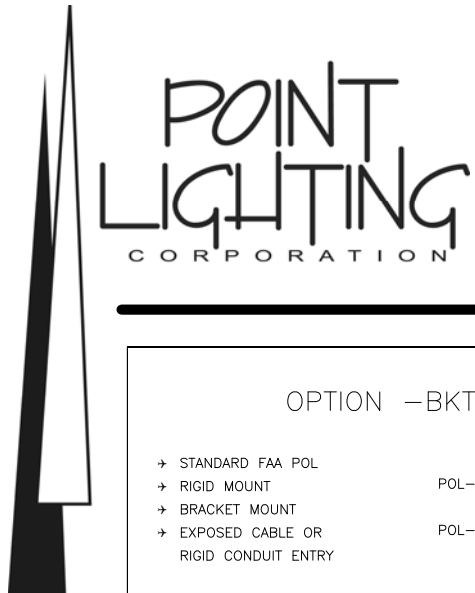


# POINT LIGHTING CORPORATION

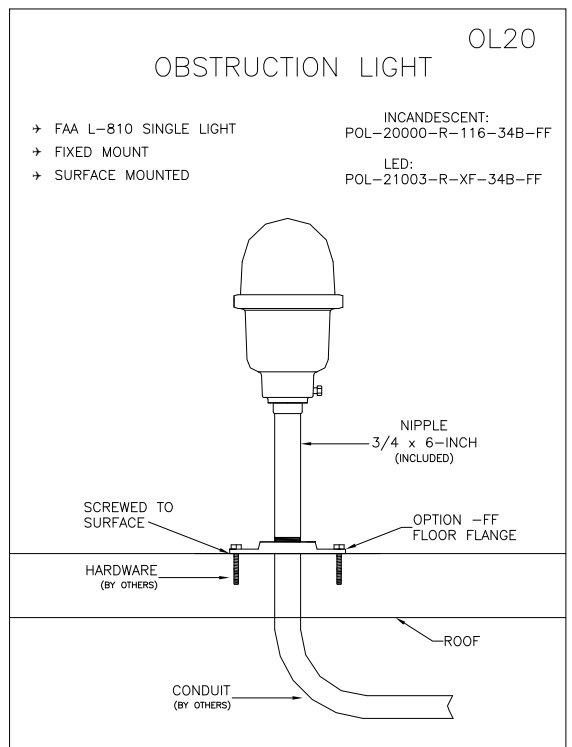
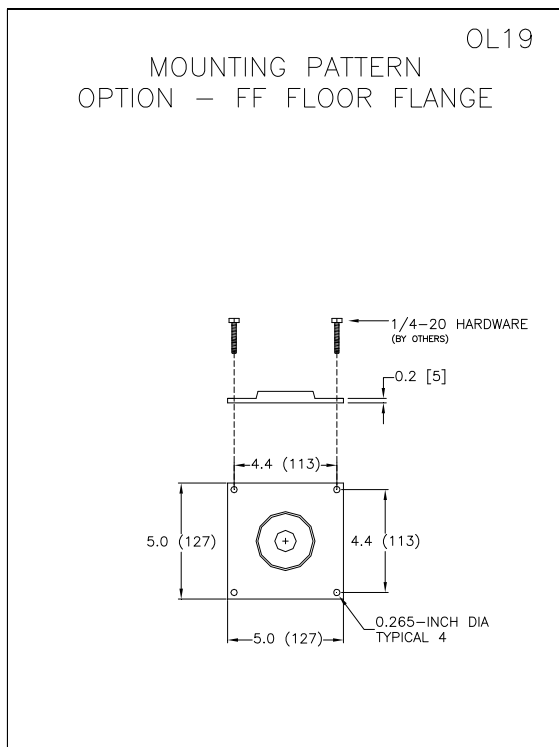
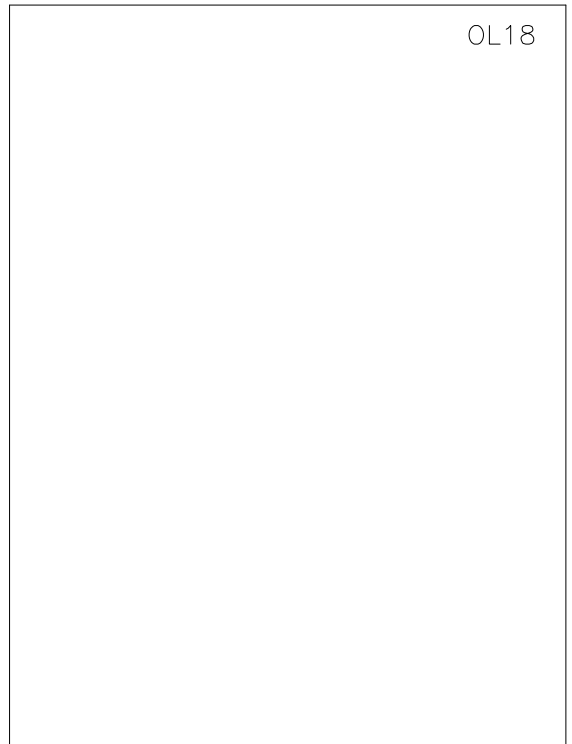
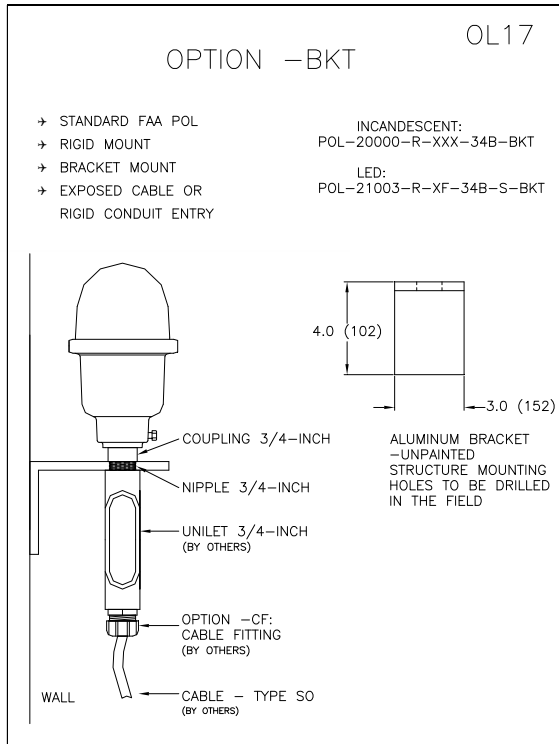
## POINT LIGHTING SPECIFICATION GUIDANCE PRODUCT MOUNTING DETAILS







# POINT LIGHTING SPECIFICATION GUIDANCE PRODUCT MOUNTING DETAILS





# POINT LIGHTING SPECIFICATION GUIDANCE PRODUCT MOUNTING DETAILS

A01

## AIRPORT TAXIWAY LIGHT

- POINT ROLLOVER LIGHT
- SURFACE MOUNTED
- FAA L-867B MOUNTED
- RIGID CONDUIT ENTRY

LED 120/240V:  
PRL-97702-XH-X

INCANDESCENT 120/240V:  
PRL-90700-2-X-XXA

HALOGEN 6.6A:  
PRL-90700-1-X-XXQ

LED 120/240V:  
PRL-97802-XH-X

INCANDESCENT 120/240V:  
PRL-90800-2-X-XXA

HALOGEN 6.6A:  
PRL-90800-1-X-XXQ

INCHES (mm)

TOP VIEW

12.0 (305) OUTSIDE DIA

10.25 (260) DIA BOLT CIRCLE

PAVEMENT SURFACE

JAQ2124  
FAA L-867 SIZE B  
LIGHT BASE  
(ORDER SEPARATELY)

24.0 (610)

TYPICAL ENTRY:  
2-INCH RSC  
OR  
2-INCH PVC

A02

## AIRPORT TAXIWAY LIGHT

- POINT ROLLOVER LIGHT
- SURFACE MOUNTED
- FAA L-868B MOUNTED
- RIGID CONDUIT ENTRY

LED 120/240V:  
PRL-97702-XH-X

INCANDESCENT 120/240V:  
PRL-90700-2-X-XXA

HALOGEN 6.6A:  
PRL-90700-1-X-XXQ

LED 120/240V:  
PRL-97802-XH-X

INCANDESCENT 120/240V:  
PRL-90800-2-X-XXA

HALOGEN 6.6A:  
PRL-90800-1-X-XXQ

INCHES (mm)

TOP VIEW

12.0 (305) OUTSIDE DIA

11.25 (286) DIA BOLT CIRCLE

PAVEMENT SURFACE

0.375 (9.5)

JAQ2424  
FAA L-868 SIZE B  
LIGHT BASE  
(ORDER SEPARATELY\*)

24.0 (610)

TYPICAL ENTRY:  
2-INCH RSC  
OR  
2-INCH PVC

\*NOTE:  
ORDER WITH 3/8-INCH  
THICK PLYWOOD COVER  
OR STEEL COVERPLATE