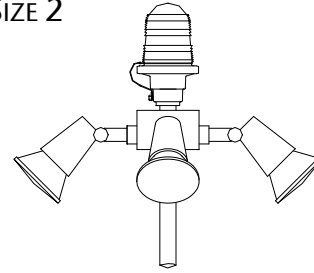


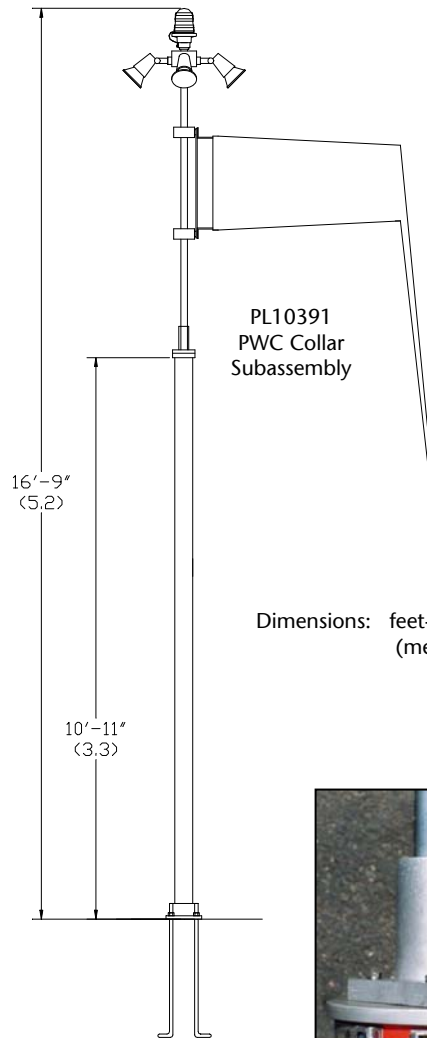
**OPTION -LIR**

**PWC-8061L    FAA SIZE 1**

**PWC-8062L    FAA SIZE 2**



LIGHTING ASSEMBLY  
4 FLOODLIGHTS  
AIMING ANGLE IS FACTORY PRESET

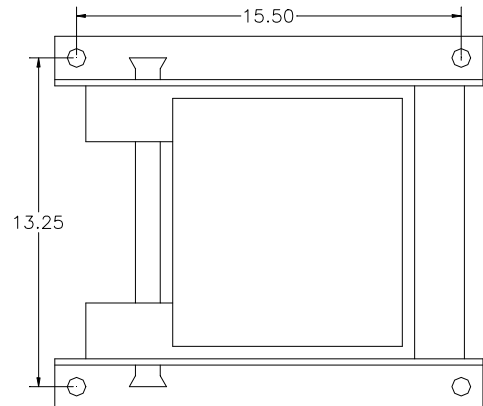


PL10391  
PWC Collar  
Subassembly

Important: Point Lighting uses the Jaquith FAA MG20 Mast customized to accept the top subassembly so it will not break off at the interface. Do not attempt to mount a top PWC lighting assembly on a standard MG20 mast.

Dimensions: feet-inches  
(meters)

Hinged Mounting Base



LIR Mast Interface Subassembly

